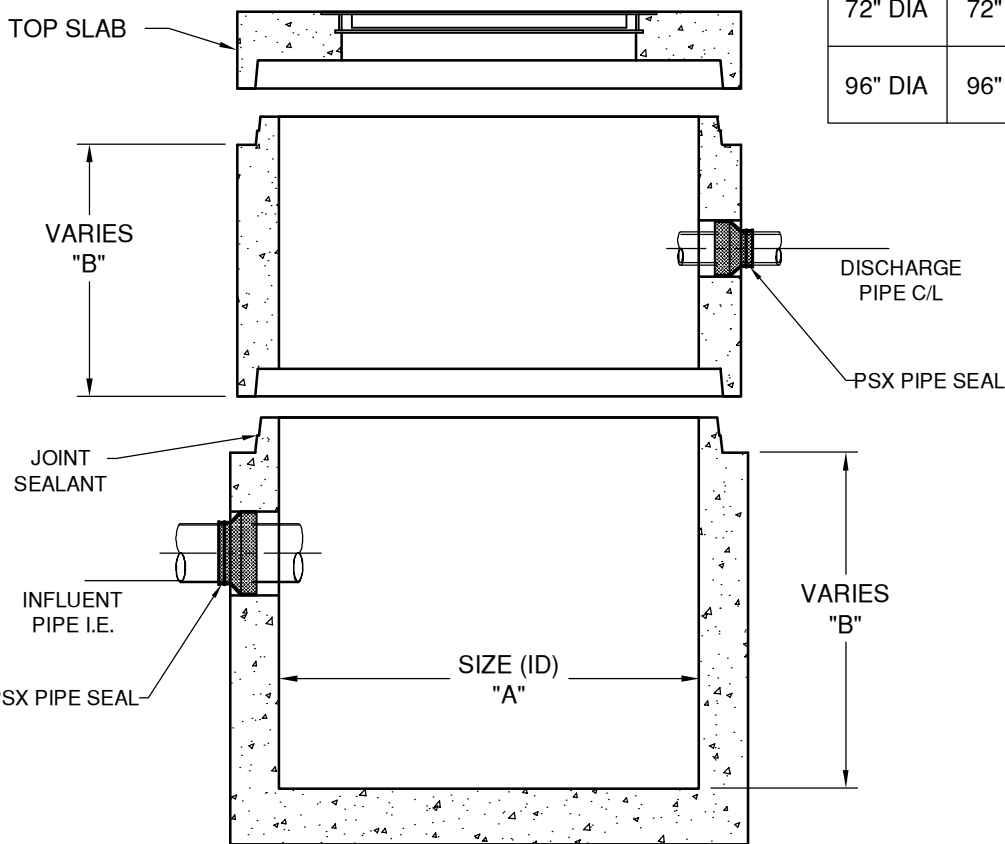


PLAN VIEW

STANDARD SIZES				
SIZE (ID) "A"	MAX "B"	BASE	WALL	MAX BASE WEIGHT
48" DIA	48"	6"	5"	4,983# (866#/VF)
60" DIA	60"	7"	6"	9,212# (1,300#/VF)
72" DIA	72"	8"	7"	15,240# (1,800#/VF)
96" DIA	96"	12"	9"	36,000# (3,093#/VF)



SECTION VIEW



"NPCA" CERTIFIED PLANT
16700 SIMA GRAY RD, HENRYVILLE, IN 47126
Phone: (812) 246-6258 Fax: (812) 294-4862

SPECIFICATIONS

CONCRETE: 4500 PSI @ 28 DAYS
REINFORCEMENT: ASTM A-615, GR 60
DESIGN LOAD: AASHTO HS-20 (HATCH PER SPECS)
DESIGN SPECIFICATION: ASTM C-478

WEIGHT: See Chart

**LIFT STATION
4' DIA - 8' DIA**

DATE: 1-20-16

DWG #LS-48-96