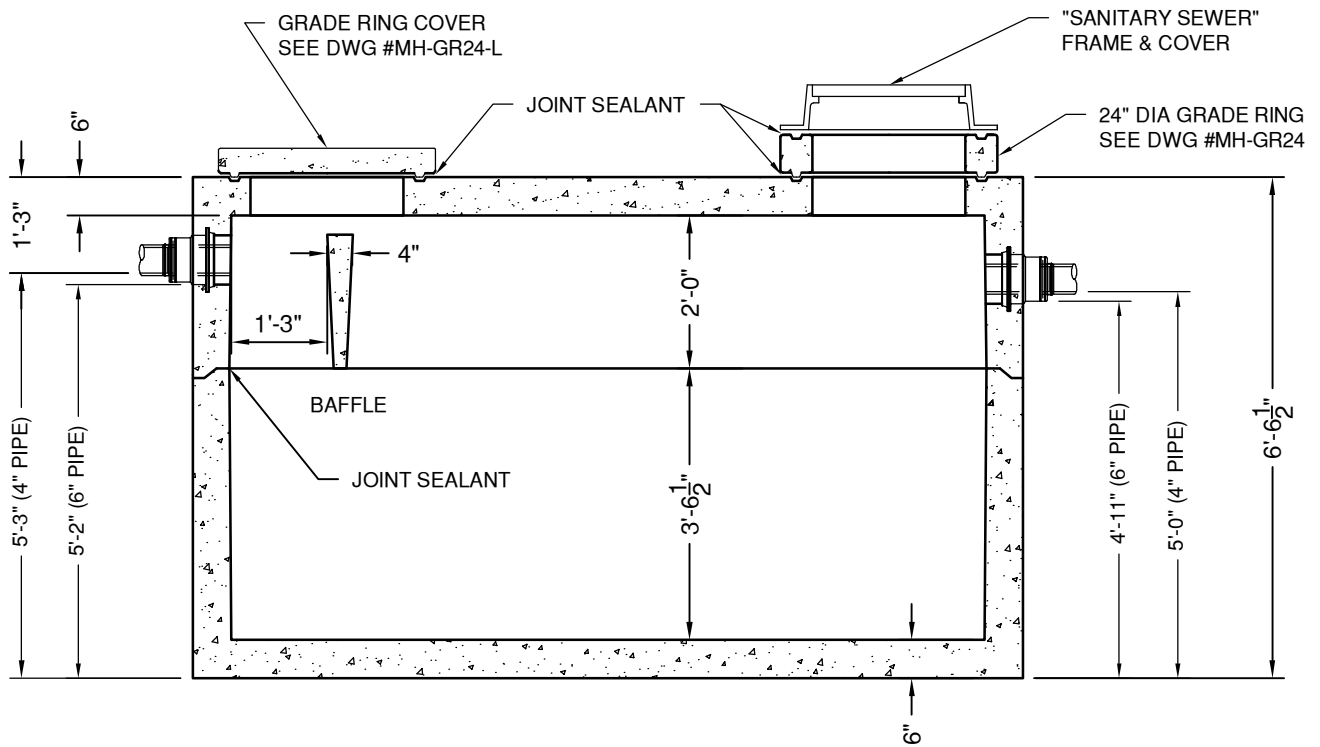


**PLAN VIEW**



**SECTION VIEW**



"NPCA" CERTIFIED PLANT  
 16700 SIMA GRAY RD, HENRYVILLE, IN 47126  
 Phone: (812) 246-6258 Fax: (812) 294-4862

**SPECIFICATIONS**

CONCRETE: 4500 PSI @ 28 DAYS  
 REINFORCEMENT: ASTM A-615, GR 60  
 LOAD DESIGN: TRAFFIC, AASHTO HS-20

WEIGHT: BOT 12,880#, TOP 9,980#

**SEPTIC TANK  
 1500 GALLON  
 TRAFFIC - INDIANA**

DATE: 2-28-17

DWG #ST-IN-1500-T