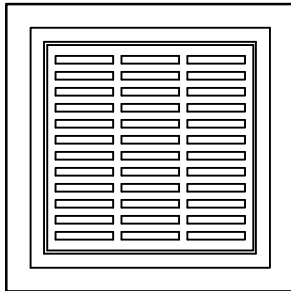
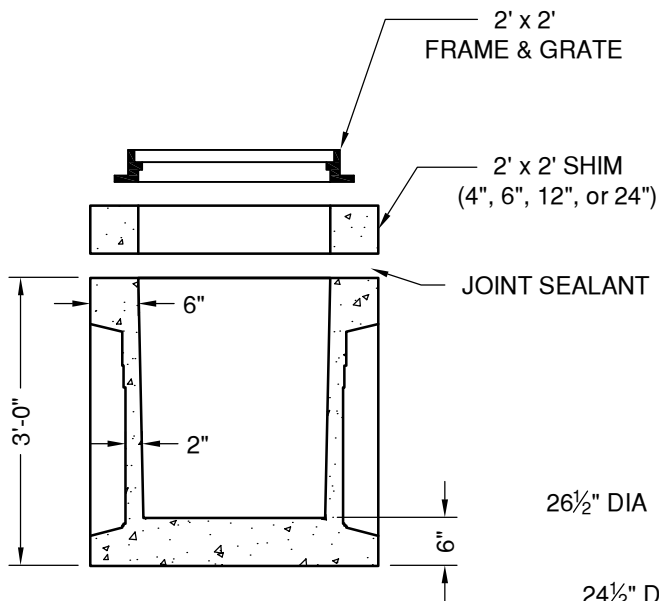


**TOP SLAB AVAILABLE
FOR ALTERNATE
CASTING SIZES**

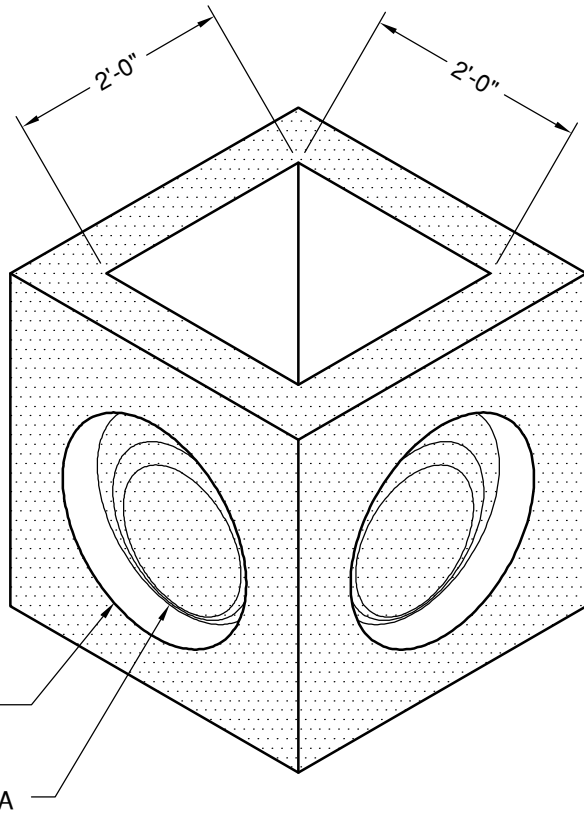


PLAN VIEW



SECTION VIEW

2' x 2' COMPONENTS		
SIZE (ID)	HEIGHT (ID)	WEIGHT
BASE	30"	2,018#
SHIM	4"	250#
SHIM	6"	375#
SHIM	12"	750#
SHIM	24"	1,500#
FRAME & GRATE	4"	244#



ISOMETRIC VIEW

**MAX PIPE SIZE
15" RCP/18" HDPE**



"NPCA" CERTIFIED PLANT
16700 SIMA GRAY RD, HENRYVILLE, IN 47126
Phone: (812) 246-6258 Fax: (812) 294-4862

SPECIFICATIONS

CONCRETE: 4500 PSI @ 28 DAYS
REINFORCEMENT: ASTM A-615, GR 60
DESIGN LOAD: AASHTO HS-20

WEIGHT: See Chart

**2' x 2' KNOCKOUT
CATCH BASIN**

DATE: 11-18-16

DWG #CB-KO-2424