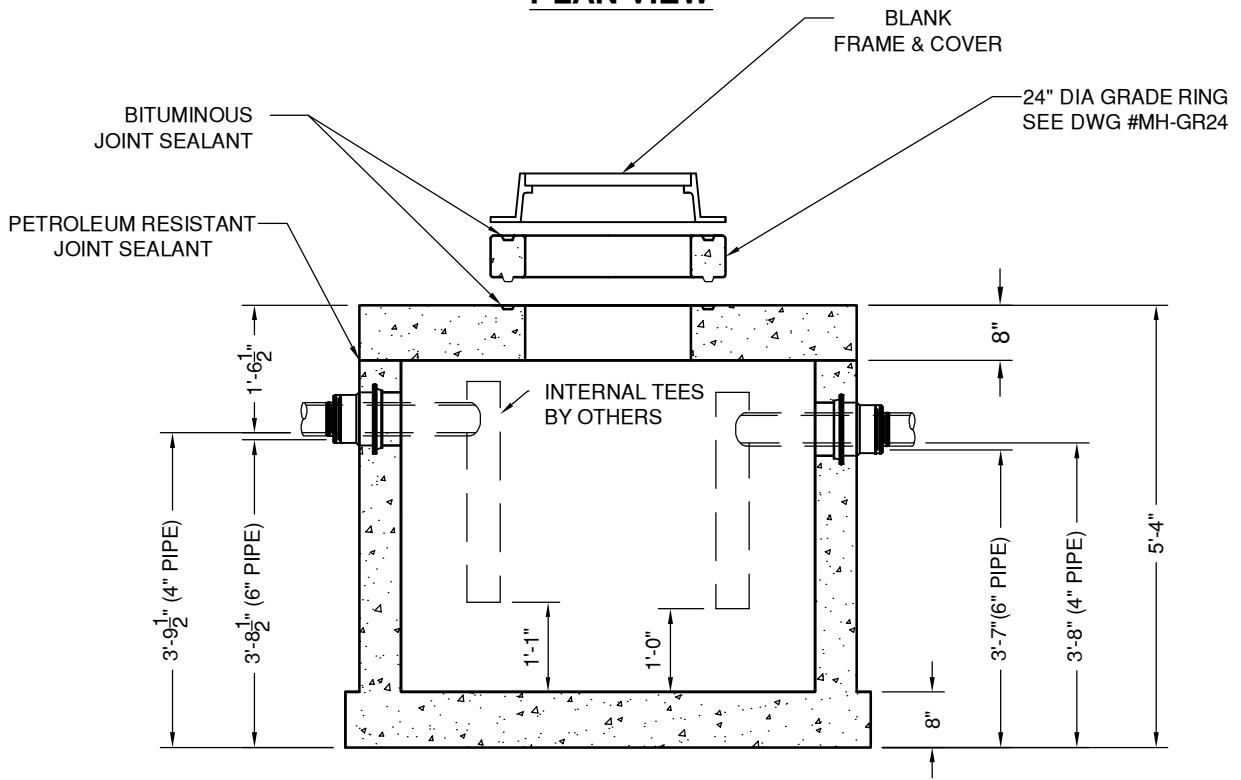


PLAN VIEW



SECTION VIEW



"NPCA" CERTIFIED PLANT
 16700 SIMA GRAY RD, HENRYVILLE, IN 47126
 Phone: (812) 246-6258 Fax: (812) 294-4862

SPECIFICATIONS

CONCRETE: 4500 PSI @ 28 DAYS
 REINFORCEMENT: ASTM A-615, GR 60
 LOAD DESIGN: AASHTO HS-20

WEIGHT: BASE 10,607# LID 3,286#

**OIL WATER SEPERATOR
 500 GALLON
 TRAFFIC**

DATE: 10-17-16

DWG #GT-500-OIL