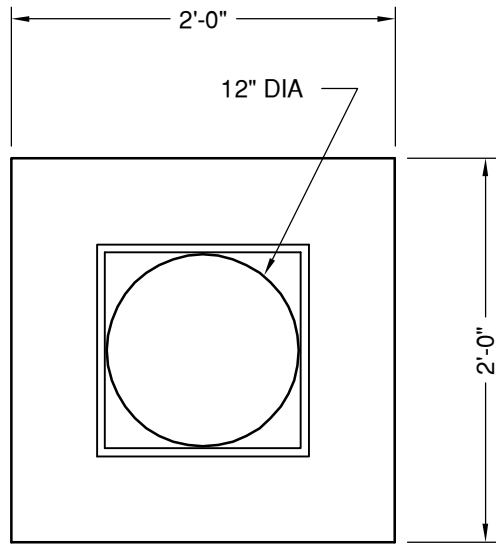


HINGED 12" x 12"
FRAME & GRATE
CAST IN

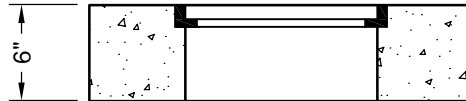
PLAN VIEW



12" DIA

PLAN VIEW
(GRATE REMOVED
FOR CLARITY)

LIGHT BROOM
FINISH



SECTION VIEW



"NPCA" CERTIFIED PLANT
16700 SIMA GRAY RD, HENRYVILLE, IN 47126
Phone: (812) 246-6258 Fax: (812) 294-4862

SPECIFICATIONS

CONCRETE: 4500 PSI @ 28 DAYS
REINFORCEMENT: ASTM A-615, GR 60
DESIGN LOAD: PEDESTRIAN LOADING ONLY

WEIGHT: 250#

**12" x 12"
YARD DRAIN**

DATE: 12-5-16

DWG #CB-YD-1212