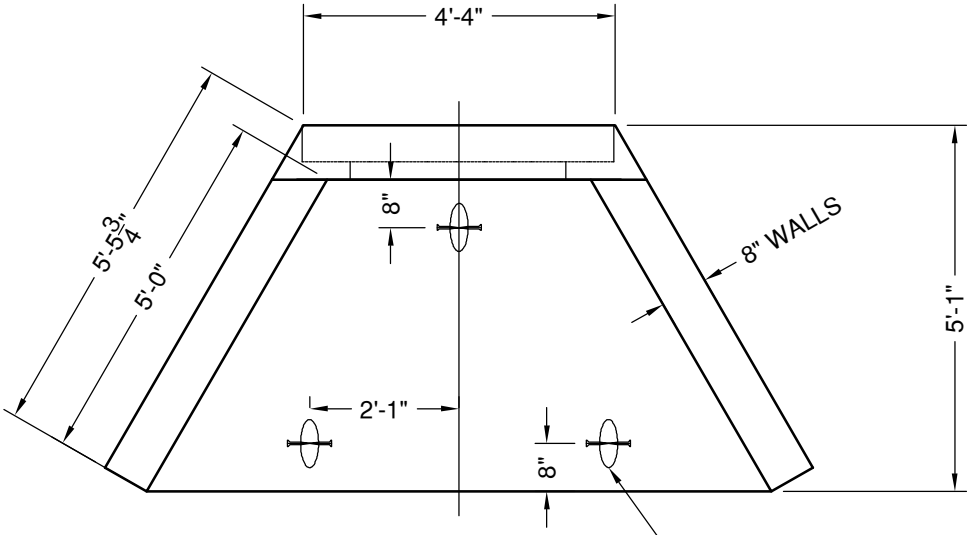
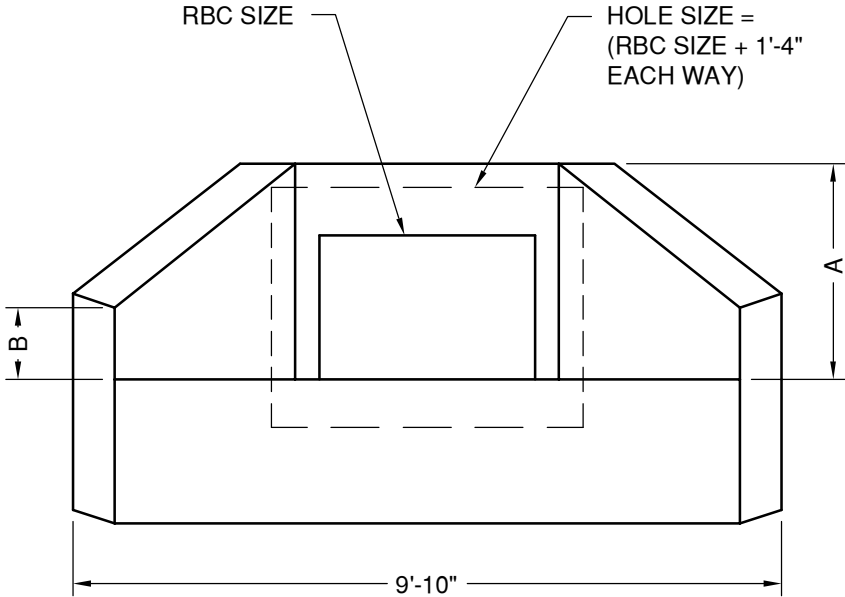


RBC SIZE	"A"	"B"	Weight
3' x 2'	3'-0"	1'-0"	7,500#
3' x 3'	4'-0"	1'-6"	8,310#

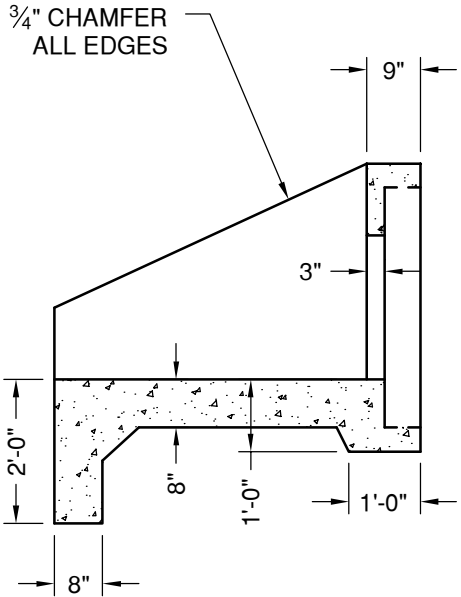


PLAN VIEW

#2 HANDLES
3 PLACES



FRONT VIEW



SECTION VIEW



"NPCA" CERTIFIED PLANT
16700 SIMA GRAY RD, HENRYVILLE, IN 47126
Phone: (812) 246-6258 Fax: (812) 294-4862

SPECIFICATIONS

CONCRETE: 4500 PSI @ 28 DAYS
REINFORCEMENT: ASTM A-615, GR 60

WEIGHT: See Chart

**BOX CULVERT
HEADWALL**

3' x 2' => 3' x 3'

DATE: 4-14-17

DWG #RBC-HW-3X