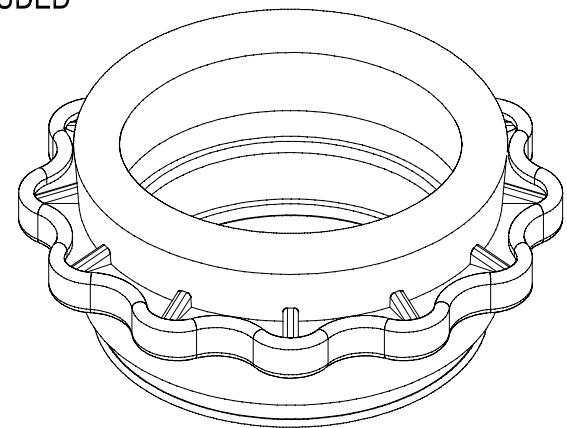


POLYLOK TYPE IV SEAL  
 PART NO. 3003-CE  
 MATERIAL - EPDM RUBBER  
 STAINLESS STEEL CLAMP INCLUDED



COLLAPSED SEAL