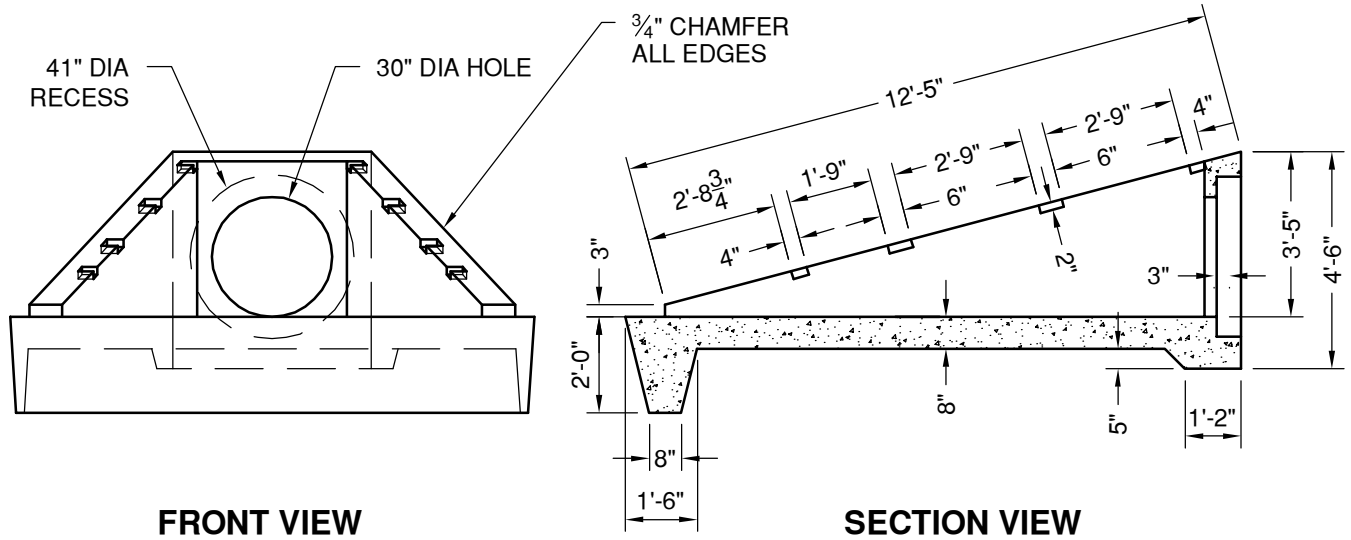


PLAN VIEW

Grate Size	Qty	Weight
3'-0" x 3'-8 1/2" => 5'-1 1/2"	1	215#
3'-0" x 5'-3 1/2" => 6'-8 5/8"	1	294#
2'-0" x 6'-10 1/2" => 7'-9 3/4"	1	287#



FRONT VIEW

SECTION VIEW



"NPCA" CERTIFIED PLANT
16700 SIMA GRAY RD, HENRYVILLE, IN 47126
Phone: (812) 246-6258 Fax: (812) 294-4862

SPECIFICATIONS

CONCRETE: 4500 PSI @ 28 DAYS
REINFORCEMENT: ASTM A-615, GR 60
DESIGN SPECIFICATION: KYTC RDB-105-05
GRATE DESIGN SPECIFICATION: KYTC RDB-106-04

WEIGHT: 15,390#

**SLOPED & FLARED BOX
INLET / OUTLET
30" PIPE**

DATE: 03-27-18

DWG #HW-SFIO-30