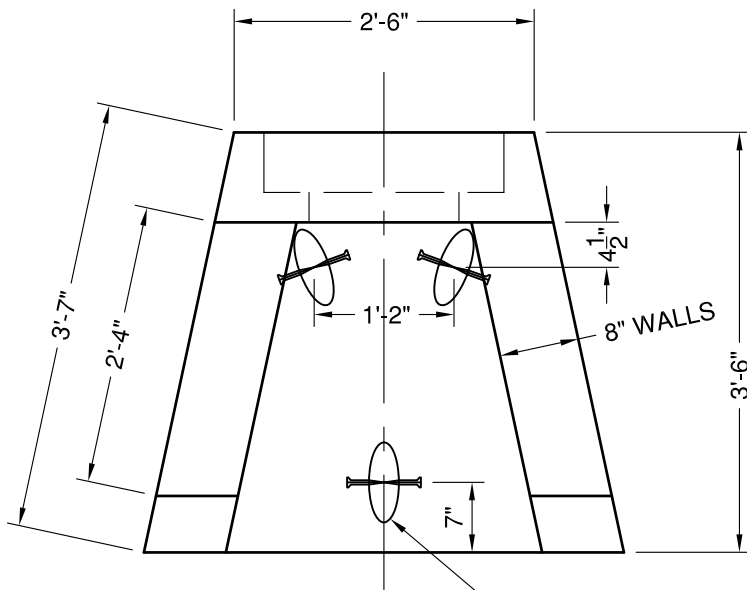
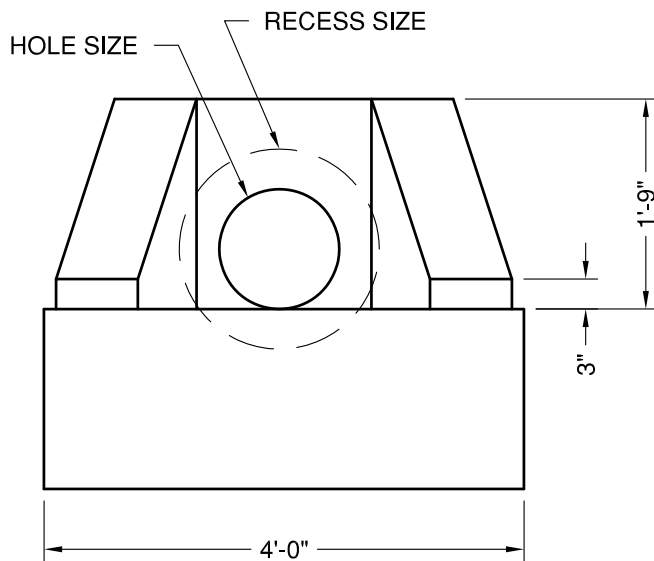
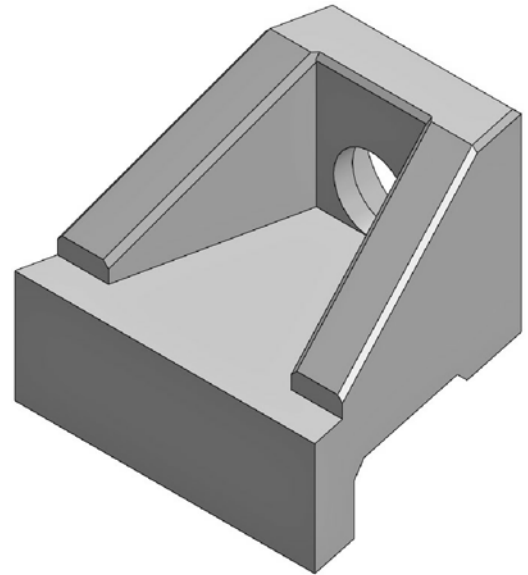


Hole Size	Recess Size	Weight
8"	12"	2,366#
12"	20"	2,249#

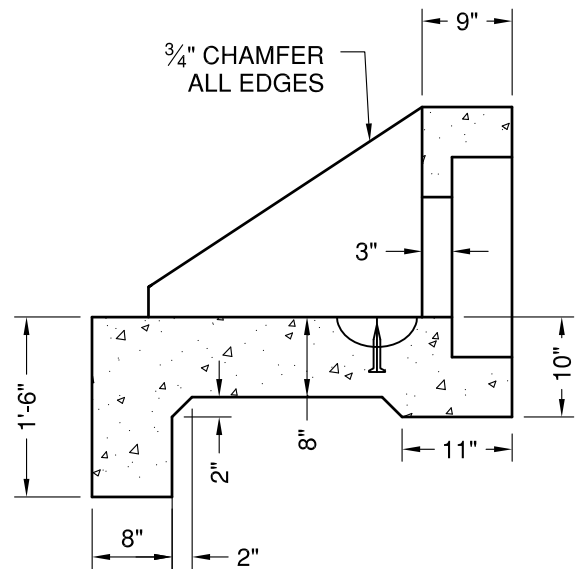


**PLAN VIEW**

#2 HANDLES  
3 PLACES



**FRONT VIEW**



**SECTION VIEW**



"NPCA" CERTIFIED PLANT  
16700 SIMA GRAY RD, HENRYVILLE, IN 47126  
Phone: (812) 246-6258 Fax: (812) 294-4862

**SPECIFICATIONS**

CONCRETE: 4500 PSI @ 28 DAYS  
REINFORCEMENT: ASTM A-615, GR 60

WEIGHT: See Chart

**SLOPED & FLARED  
HEADWALL  
8" - 12" PIPE**

DATE: 5-1-20

DWG #HW-SF-12