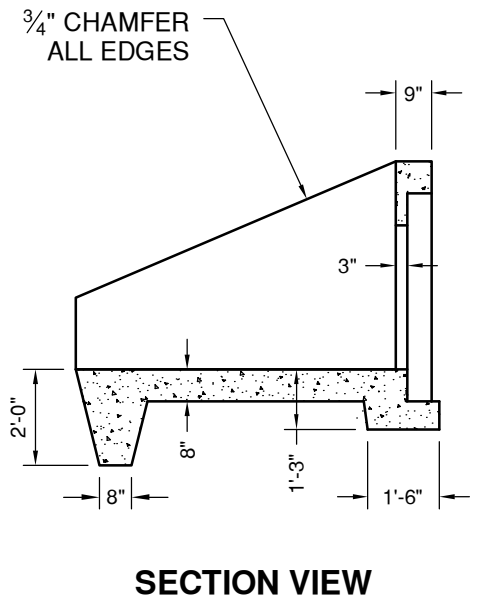
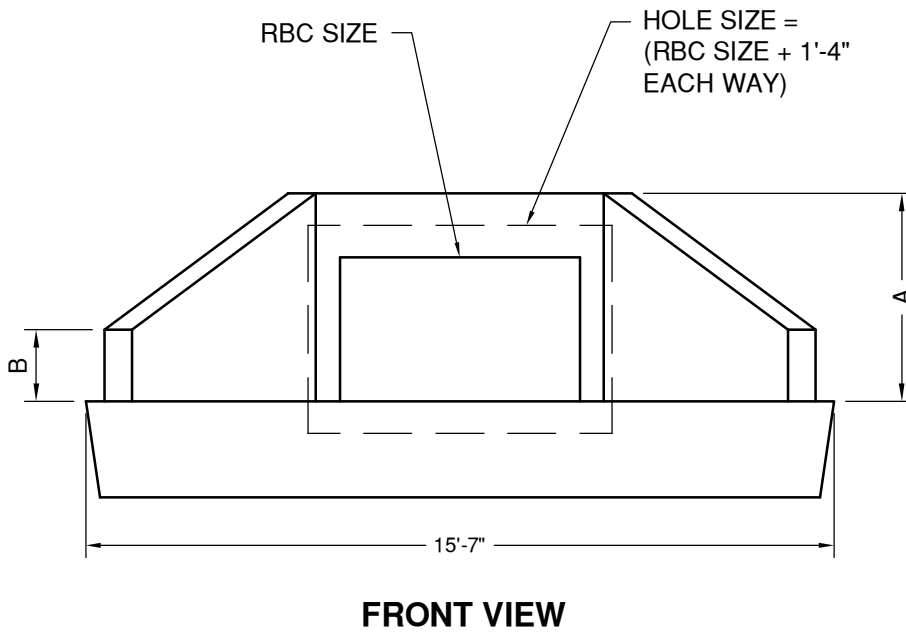
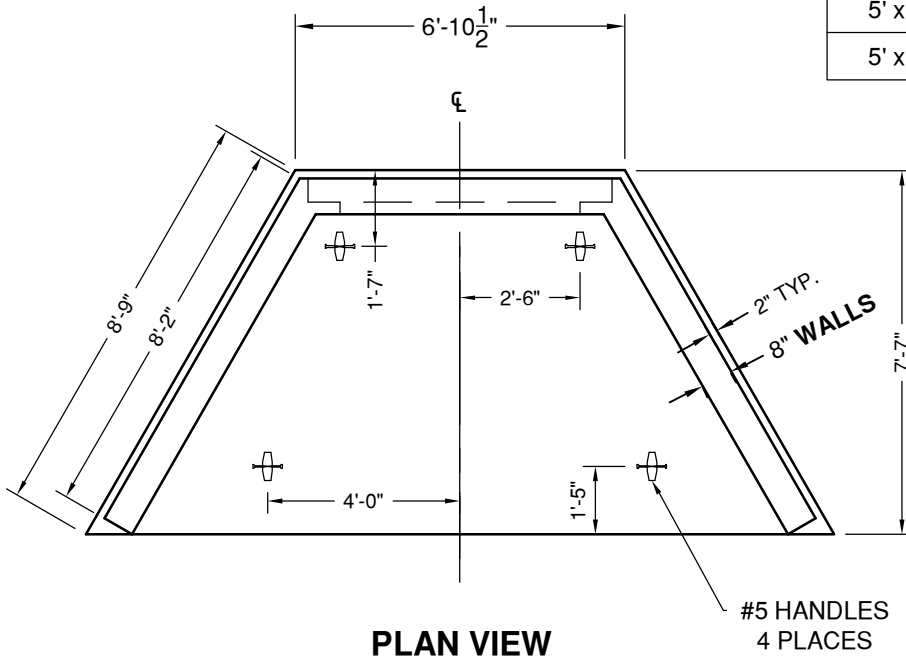


RBC SIZE	"A"	"B"	Weight
5' x 2'	3'-2"	1'-0"	15,840#
5' x 3'	4'-2"	1'-6"	17,090#
5' x 4'	5'-2"	2'-0"	18,340#
5' x 5'	6'-2"	2'-6"	19,585#



"NPCA" CERTIFIED PLANT  
16700 SIMA GRAY RD, HENRYVILLE, IN 47126  
Phone: (812) 246-6258 Fax: (812) 294-4862

**SPECIFICATIONS**

CONCRETE: 4500 PSI @ 28 DAYS  
REINFORCEMENT: ASTM A-615, GR 60

WEIGHT: See Chart

**BOX CULVERT  
HEADWALL  
5' x 2' => 5' x 5'**

DATE: 4-18-17

DWG #RBC-HW-5X