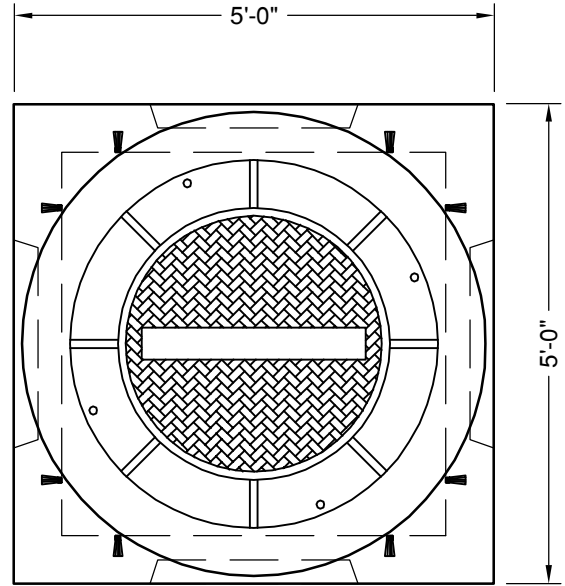


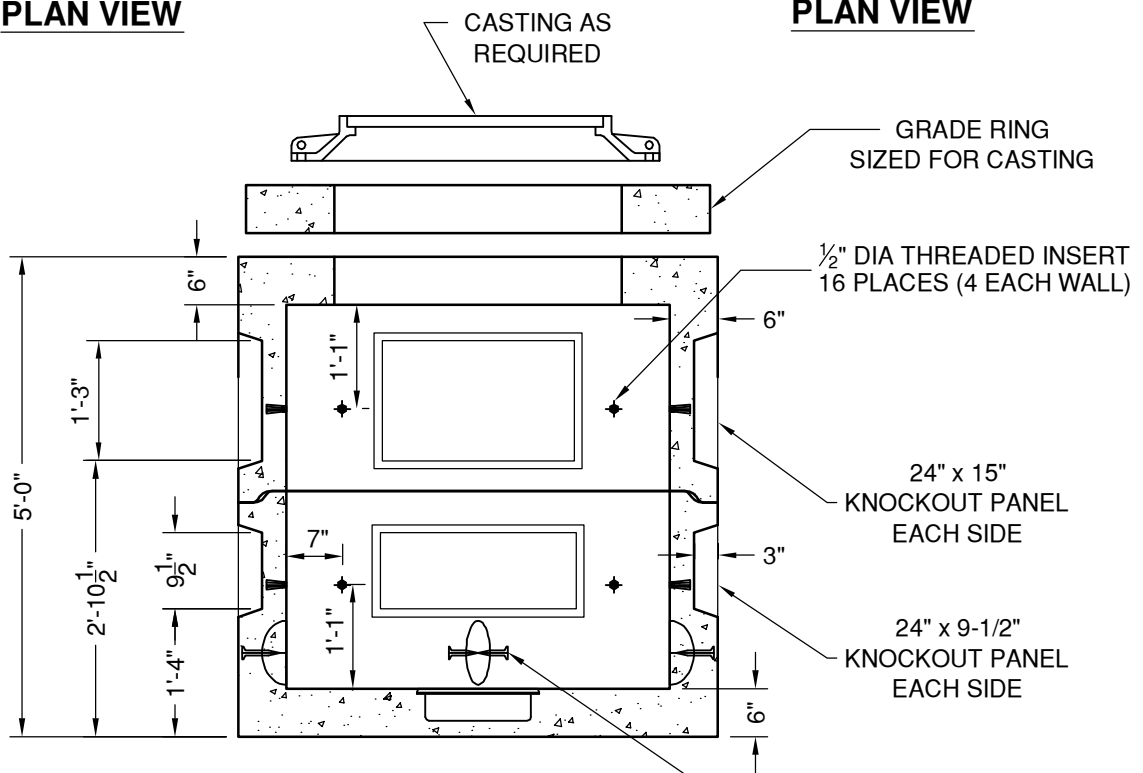
PLAN VIEW

36" DIA HOLE

12" DIA HDPE SUMP 4" DEEP



PLAN VIEW



SECTION VIEW

CASTING AS REQUIRED

GRADE RING SIZED FOR CASTING

1/2" DIA THREADED INSERT 16 PLACES (4 EACH WALL)

24" x 15" KNOCKOUT PANEL EACH SIDE

24" x 9-1/2" KNOCKOUT PANEL EACH SIDE

PULLING IRON 4 PLACES



"NPCA" CERTIFIED PLANT
16700 SIMA GRAY RD, HENRYVILLE, IN 47126
Phone: (812) 246-6258 Fax: (812) 294-4862

SPECIFICATIONS

CONCRETE: 4500 PSI @ 28 DAYS
REINFORCEMENT: ASTM A-615, GR 60
DESIGN LOAD: AASHTO HS-20 => 0' - 5' FILL
DESIGN SPECIFICATION: ASTM C-858 & ACI 318

WEIGHT: BOT 4,333# TOP 3,670#

**ELECTRIC MANHOLE
4' x 4' SPLIT BOX**

DATE: 1-16-17

DWG #EL-KO-44S