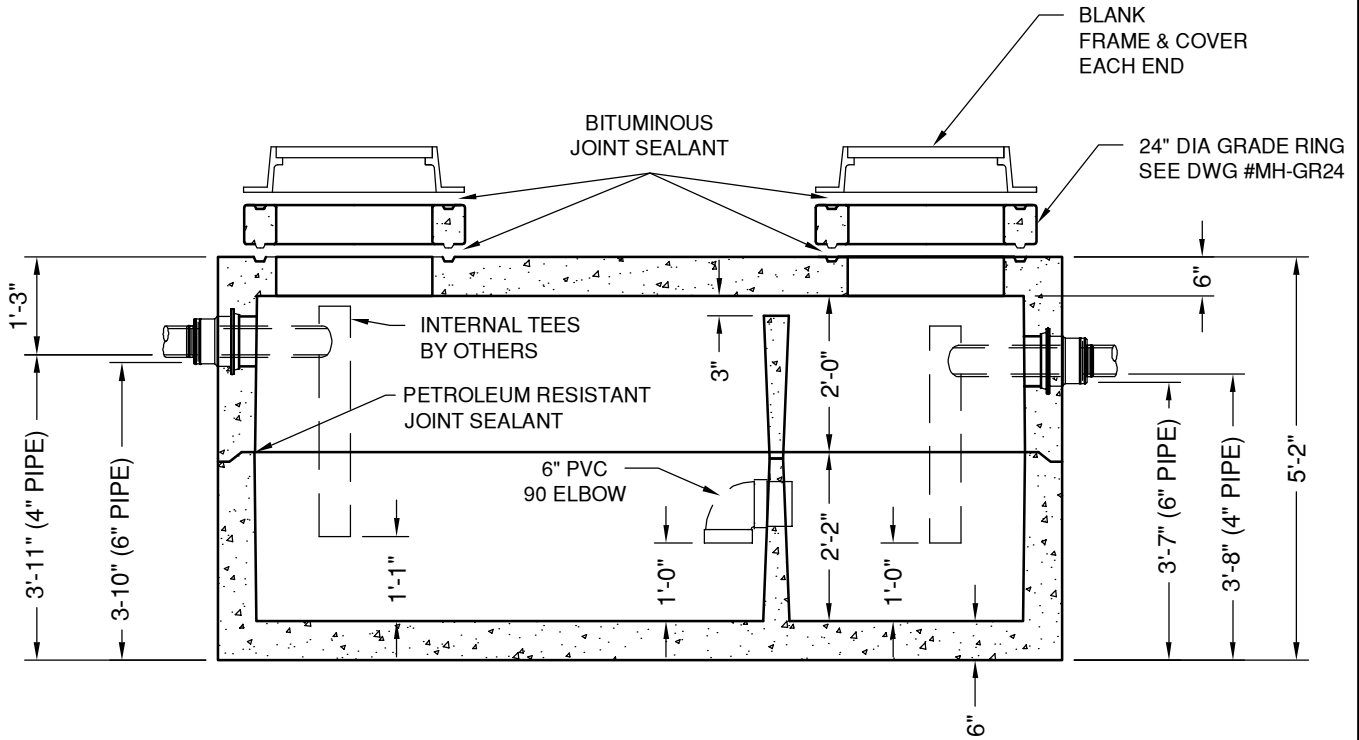


**PLAN VIEW**



**SECTION VIEW**



"NPCA" CERTIFIED PLANT  
 16700 SIMA GRAY RD, HENRYVILLE, IN 47126  
 Phone: (812) 246-6258 Fax: (812) 294-4862

**SPECIFICATIONS**

CONCRETE: 4500 PSI @ 28 DAYS  
 REINFORCEMENT: ASTM A-615, GR 60  
 LOAD DESIGN: AASHTO HS-20

WEIGHT: BOT 9,803# TOP 9,331#

**OIL WATER SEPERATOR**  
**1000 GALLON**  
**TRAFFIC**

DATE: 10-17-16 DWG #GT-1000-OIL