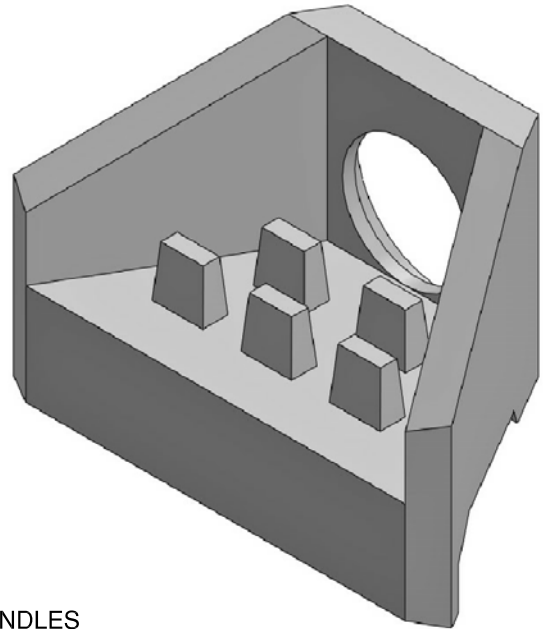
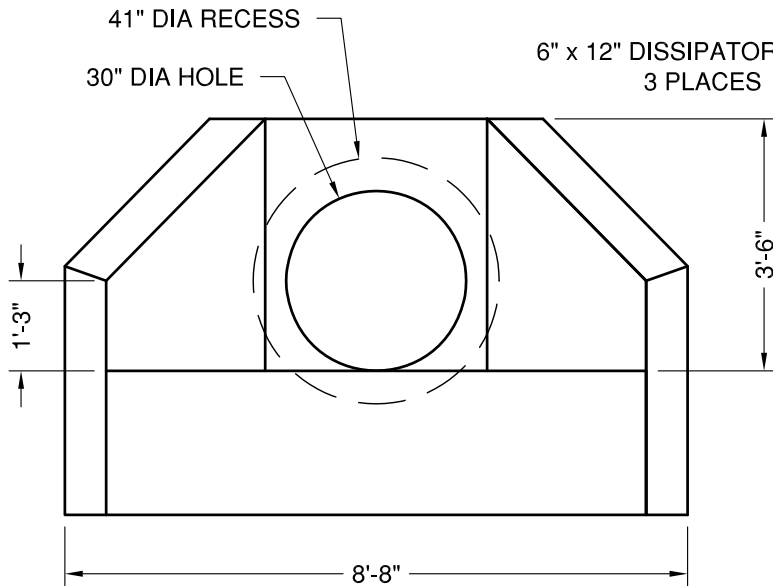


PLAN VIEW

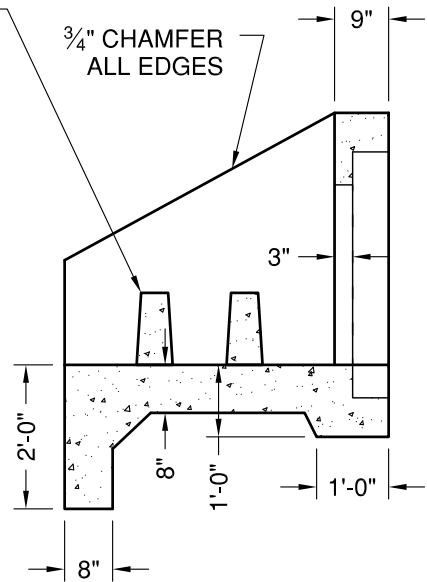


#2 HANDLES
3 PLACES



FRONT VIEW

6" x 12" DISSIPATOR BLOCK
3 PLACES



SECTION VIEW



"NPCA" CERTIFIED PLANT
16700 SIMA GRAY RD, HENRYVILLE, IN 47126
Phone: (812) 246-6258 Fax: (812) 294-4862

SPECIFICATIONS

CONCRETE: 4500 PSI @ 28 DAYS
REINFORCEMENT: ASTM A-615, GR 60

WEIGHT: 7,184

**SLOPED & FLARED
DISSIPATOR HW
30" PIPE**

DATE: 4-28-20

DWG #HW-SF-30-D