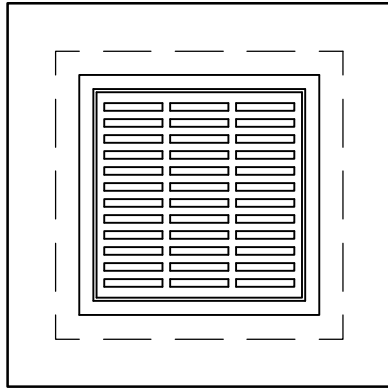


**TOP SLAB AVAILABLE
FOR ALTERNATE
CASTING SIZES**



3' x 3' COMPONENTS

SIZE (ID)	HEIGHT (ID)	WEIGHT
BASE	42"	3,725#
TOP SLAB	6" (2'x3' HOLE)	750#
TOP SLAB	6" (2'x2' HOLE)	900#
TOP SLAB	6" SOLID	1,200#

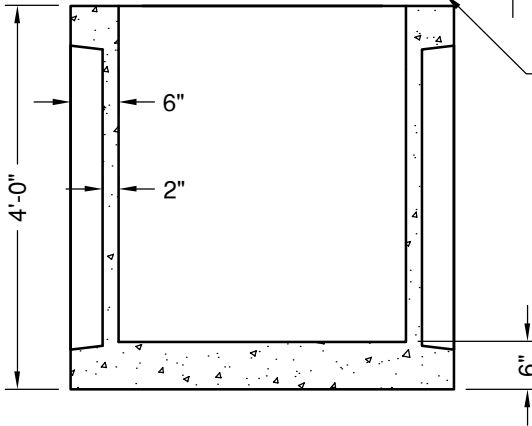
PLAN VIEW

CASTING AS
REQUIRED
30" MAX

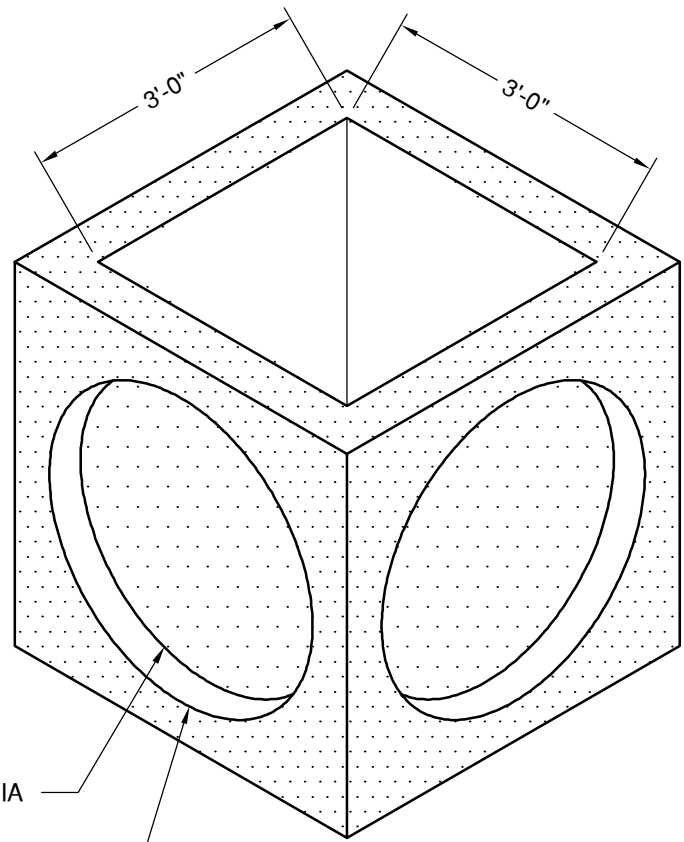
SHIM SIZED TO
CASTING

3' x 3'
TOP SLAB

JOINT
SEALANT



SECTION VIEW



ISOMETRIC VIEW

**MAX PIPE SIZE
24" RCP/30" HDPE**



"NPCA" CERTIFIED PLANT
16700 SIMA GRAY RD, HENRYVILLE, IN 47126
Phone: (812) 246-6258 Fax: (812) 294-4862

SPECIFICATIONS

CONCRETE: 4500 PSI @ 28 DAYS
REINFORCEMENT: ASTM A-615, GR 60
DESIGN LOAD: AASHTO HS-20

WEIGHT: See Chart

**3' x 3' KNOCKOUT
CATCH BASIN**

DATE: 11-18-16

DWG #CB-KO-3636