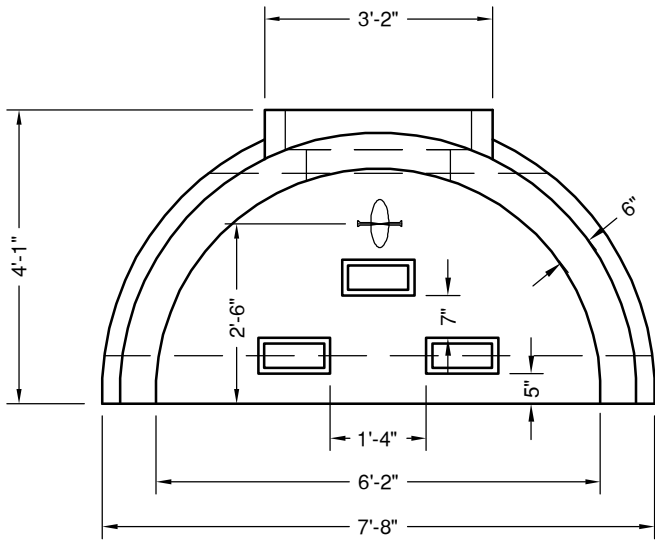
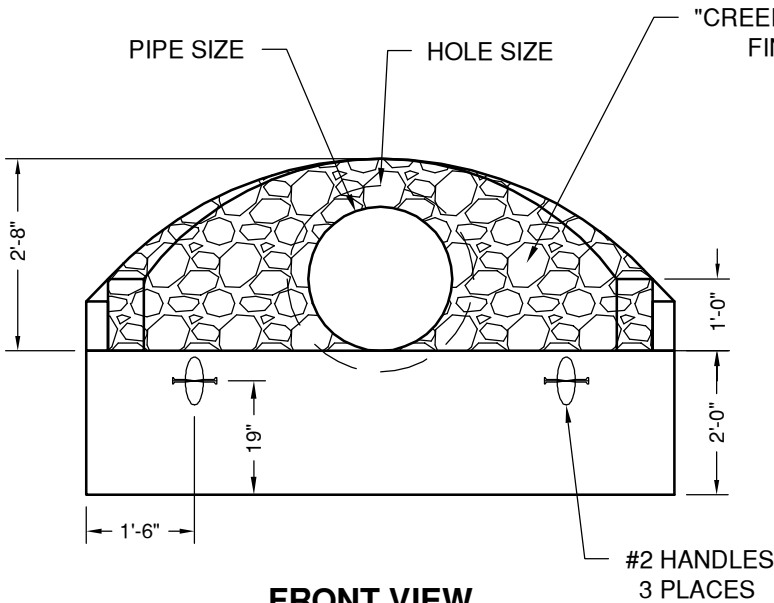


| Pipe Size | Hole Size | Weight |
|-----------|-----------|--------|
| 12"       | 20"       | 6,569# |
| 15"       | 24"       | 6,474# |
| 18"       | 27"       | 6,387# |
| 24"       | 31"       | 6,218# |

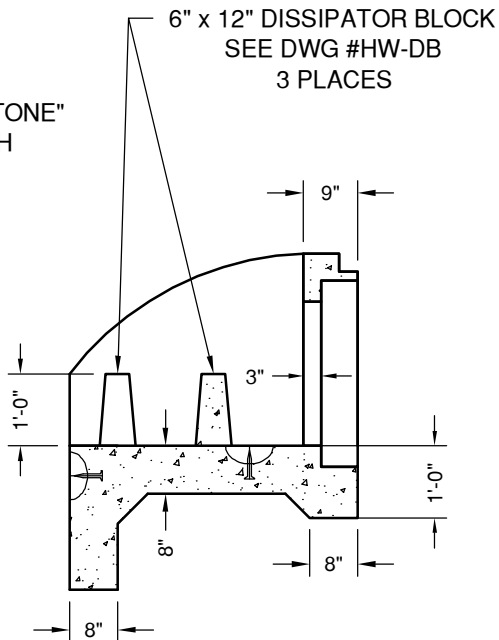
NOTE: IF 24" RCP IS USED, PIPE SPIGOT MUST BE INSTALLED IN GROUT HOLE  
31" DIA IS MAX HOLE SIZE



**PLAN VIEW**



**FRONT VIEW**



**SECTION VIEW**



"NPCA" CERTIFIED PLANT  
16700 SIMA GRAY RD, HENRYVILLE, IN 47126  
Phone: (812) 246-6258 Fax: (812) 294-4862

**SPECIFICATIONS**

CONCRETE: 4500 PSI @ 28 DAYS  
REINFORCEMENT: ASTM A-615, GR 60

WEIGHT: SEE CHART

**"CREEKSTONE"  
DISSIPATOR HEADWALL  
12" - 24" PIPE**

DATE: 12-19-16 DWG #HW-CS-12-D