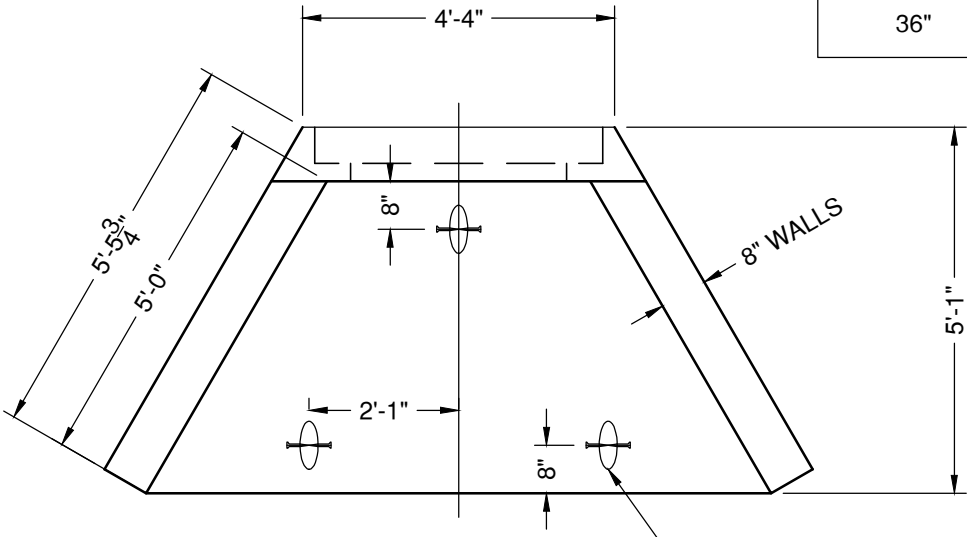
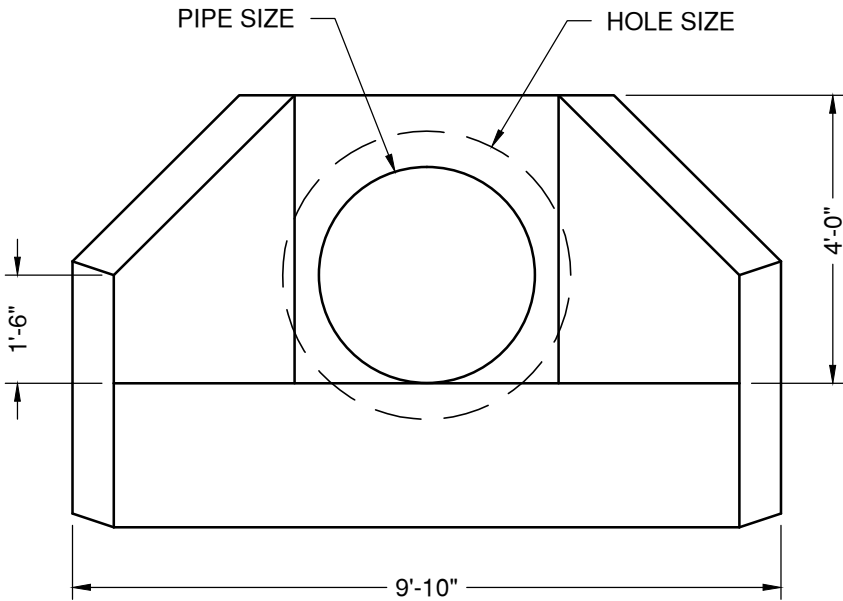


Pipe Size	Hole Size	Weight
30"	41"	9,220#
36"	48"	8,883#

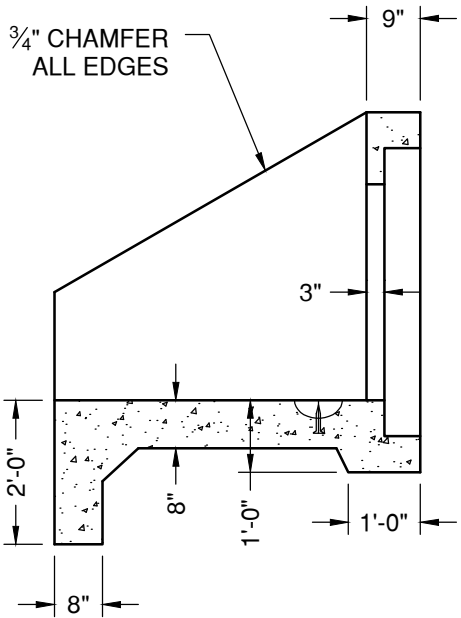


PLAN VIEW

#2 HANDLES
3 PLACES



FRONT VIEW



SECTION VIEW



"NPCA" CERTIFIED PLANT
16700 SIMA GRAY RD, HENRYVILLE, IN 47126
Phone: (812) 246-6258 Fax: (812) 294-4862

SPECIFICATIONS

CONCRETE: 4500 PSI @ 28 DAYS
REINFORCEMENT: ASTM A-615, GR 60

WEIGHT: See Chart

**SLOPED & FLARED
HEADWALL
30" - 36" PIPE**

DATE: 10-12-16

DWG #HW-SF-36