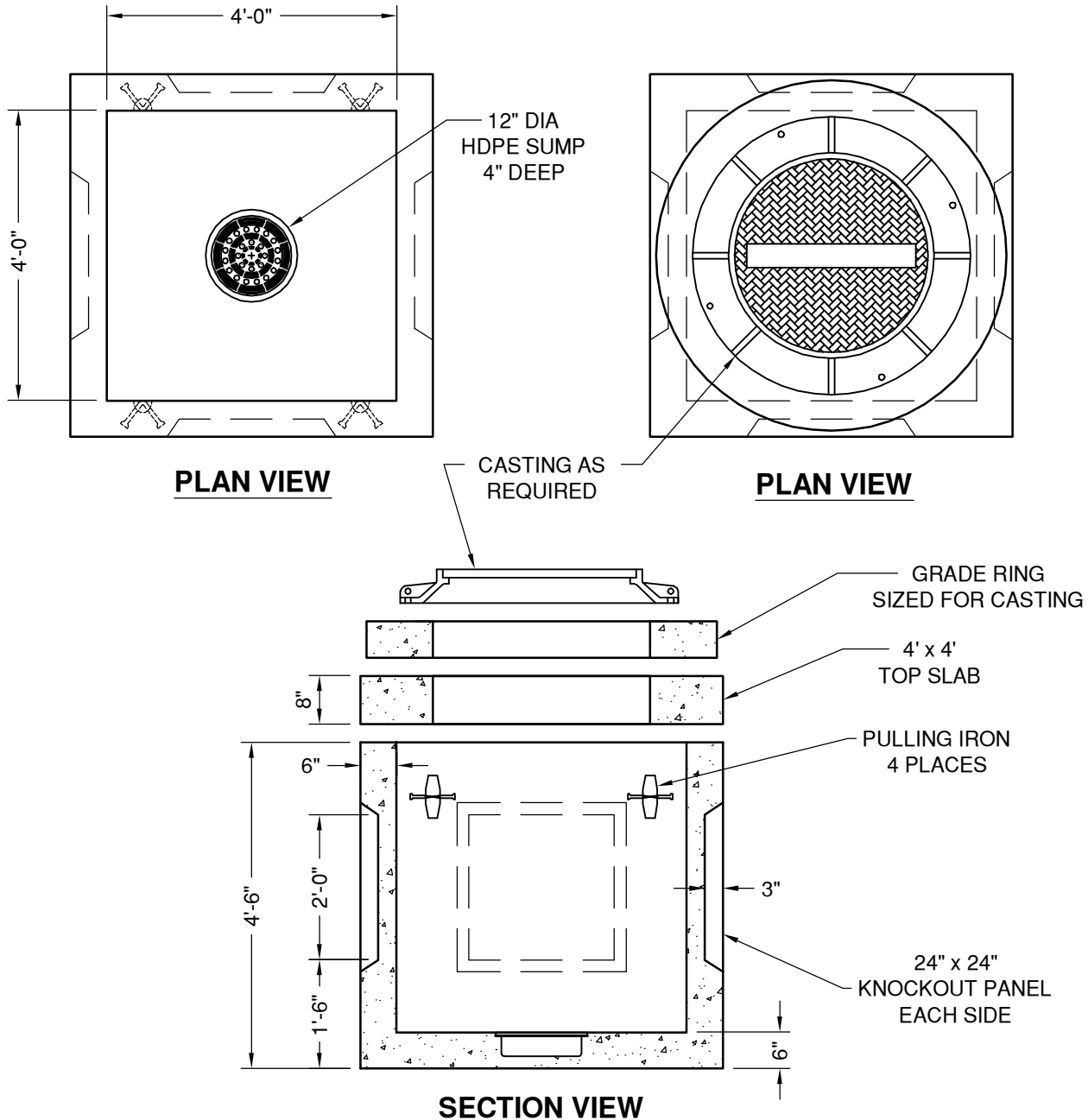


**TOP SLAB AVAILABLE
FOR ALTERNATE
CASTING SIZES**

4' x 4' COMPONENTS

ITEM	HEIGHT (ID)	WEIGHT
BASE	48"	6,933#
TOP SLAB	8" (36" DIA HOLE)	1,800#
TOP SLAB	8" (30" DIA HOLE)	2,009#
TOP SLAB	8" (24" DIA HOLE)	2,186#



"NPCA" CERTIFIED PLANT
16700 SIMA GRAY RD, HENRYVILLE, IN 47126
Phone: (812) 246-6258 Fax: (812) 294-4862

SPECIFICATIONS

CONCRETE: 4500 PSI @ 28 DAYS
REINFORCEMENT: ASTM A-615, GR 60
DESIGN LOAD: AASHTO HS-20 => 0' - 5' FILL
DESIGN SPECIFICATION: ASTM C-858 & ACI 318

WEIGHT: See Chart

**ELECTRIC MANHOLE
4' x 4' KNOCKOUT**

DATE: 1-13-17 DWG #EL-KO-44