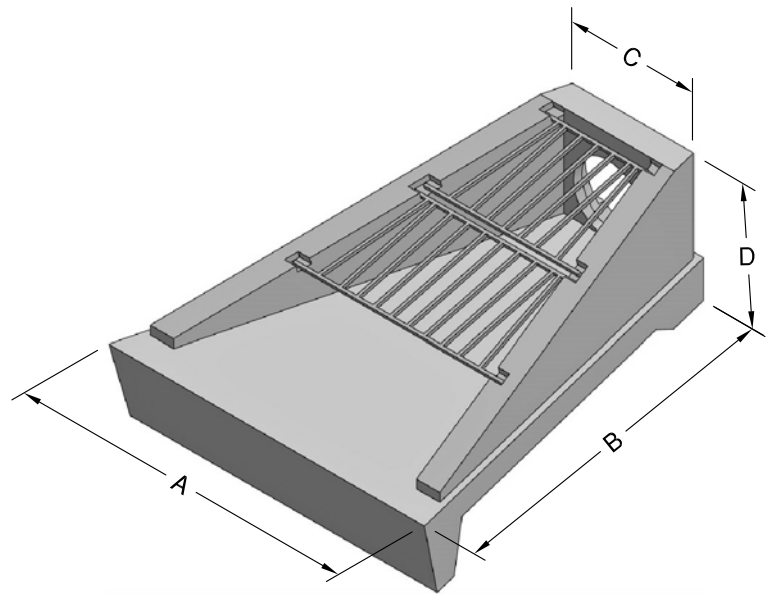


**SLOPED BOX OUTLET TYPE 1**  
**12" - 24" PIPE**



**SLOPED & FLARED**  
**BOX INLET/OUTLET**  
**18" - 30" PIPE**

Pipe Size	A	B	C	D	Weight
12"	3'-3"	8'-3"	3'-3"	3'-0 1/2"	5,000 #
15"	3'-3"	8'-3"	3'-3"	3'-0 1/2"	4,910 #
18"	3'-3"	8'-3"	3'-3"	3'-0 1/2"	4,830 #
*24"	3'-10"	10'-2"	3'-10"	3'-7"	5,203 #

Pipe Size	A	B	C	D	Weight
18"	7'-3"	8'-6"	2'-11 1/2"	3'-5"	7,290 #
24"	9'-3"	10'-11"	3'-9"	4'-0"	10,935 #
*30"	10'-11"	13'-1"	4'-4 1/2"	4'-6"	15,390 #

**\* REQUIRES 3 GRATES**

**NOTE: S&M STANDARD BACK RECESS ACCEPTS ANY PIPE TYPE FOR THE GIVEN SIZE**



"NPCA" CERTIFIED PLANT  
16700 SIMA GRAY RD, HENRYVILLE, IN 47126  
Phone: (812) 246-6258 Fax: (812) 294-4862

**SPECIFICATIONS**

CONCRETE: 4500 PSI @ 28 DAYS  
REINFORCEMENT: ASTM A-615, GR 60  
REF: KYTC DRAWING # RDB-100-04 & RDB-105-05

WEIGHT: See Chart

**SLOPED & GRATED**  
**HEADWALLS**  
**12" - 30" PIPE**

DATE: 5-12-20

DWG #HW-SG-12-30