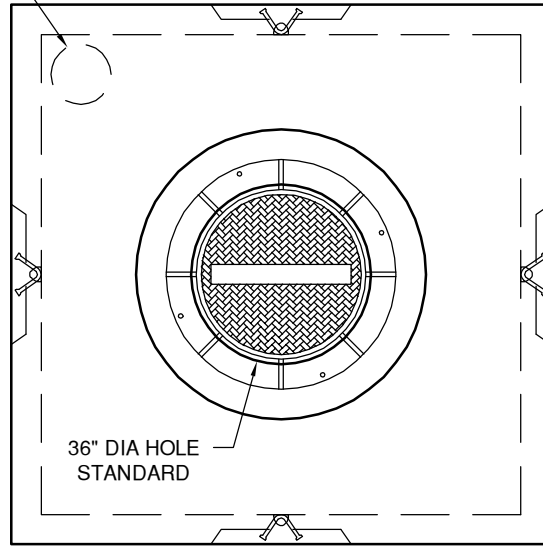
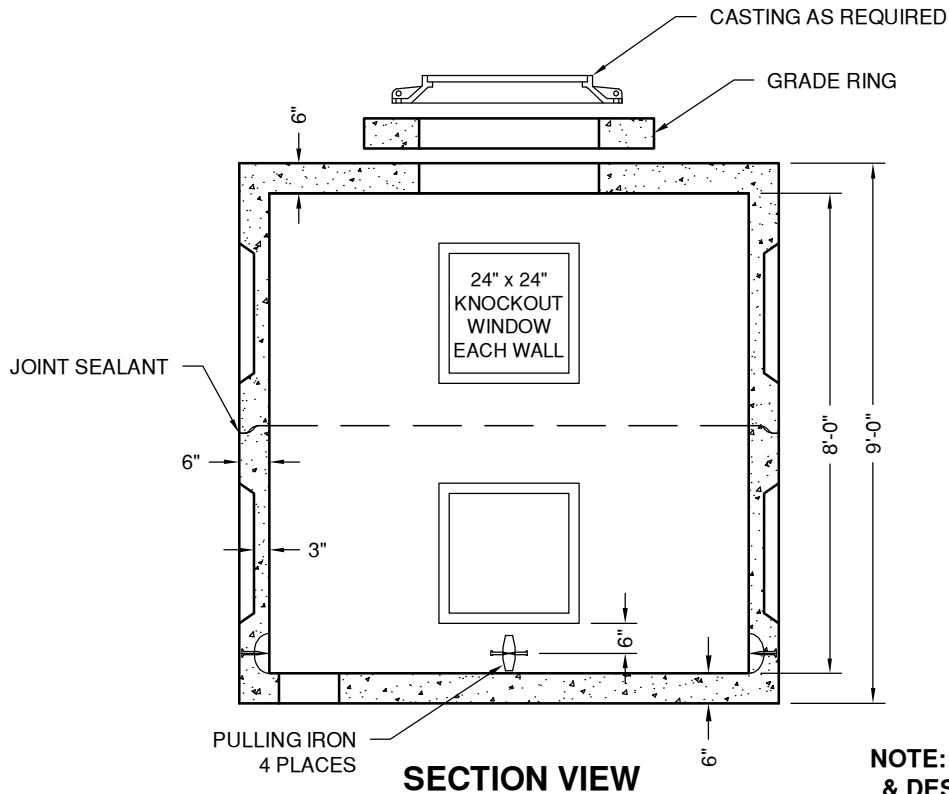


12" DIA HOLE
THRU FLOOR



36" DIA HOLE
STANDARD

PLAN VIEW



SECTION VIEW

**NOTE: ALTERNATE SIZES
& DESIGNS AVAILABLE.**

8 x 8: BOT 15,616# TOP 15,145#

10 x 10: BOT 20,245# TOP 20,716#

**ELECTRIC MANHOLE
8' x 8' & 10' x 10'**

DATE: 1-17-17

DWG #EL-STD-88



"NPCA" CERTIFIED PLANT
16700 SIMA GRAY RD, HENRYVILLE, IN 47126
Phone: (812) 246-6258 Fax: (812) 294-4862

SPECIFICATIONS

CONCRETE: 4500 PSI @ 28 DAYS

REINFORCEMENT: ASTM A-615, GR 60

LOAD DESIGN: AASHTO HS-20

DESIGN SPECIFICATION: ASTM C-858 & ACI 318