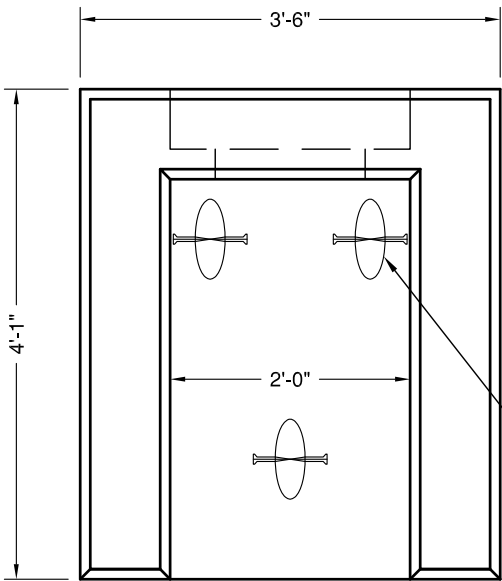
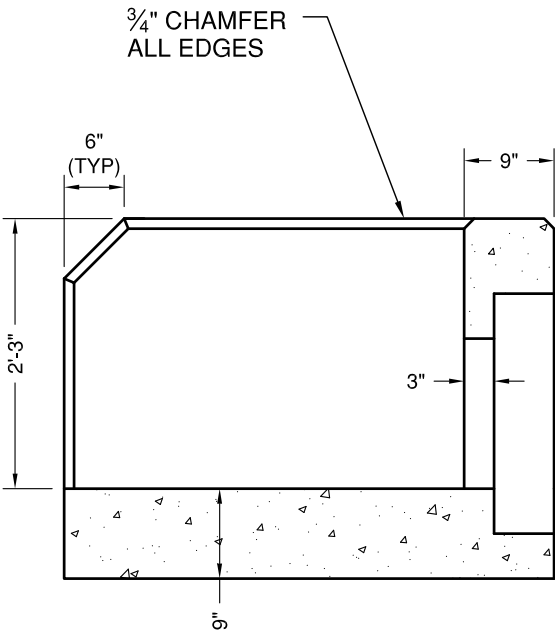
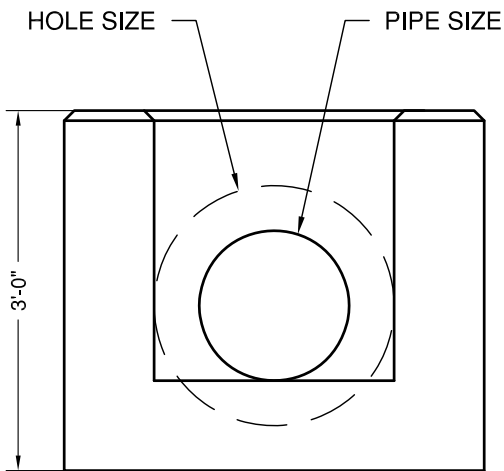


Pipe Size	Hole Size	Weight
8"	12"	3,973#
12"	20"	3,850#
15"	24"	3,763#
18"	27"	3,680#



**SHOWN AS CENTER STYLE
HEADWALL - PIPE CAN ENTER
LEFT/RIGHT WALL AS ALTERNATE**



"NPCA" CERTIFIED PLANT
16700 SIMA GRAY RD, HENRYVILLE, IN 47126
Phone: (812) 246-6258 Fax: (812) 294-4862

SPECIFICATIONS

CONCRETE: 4500 PSI @ 28 DAYS
REINFORCEMENT: ASTM A-615, GR 60

WEIGHT: SEE CHART

**U
HEADWALL
8" - 18" PIPE**

DATE: 8-10-18

DWG #HW-U-12