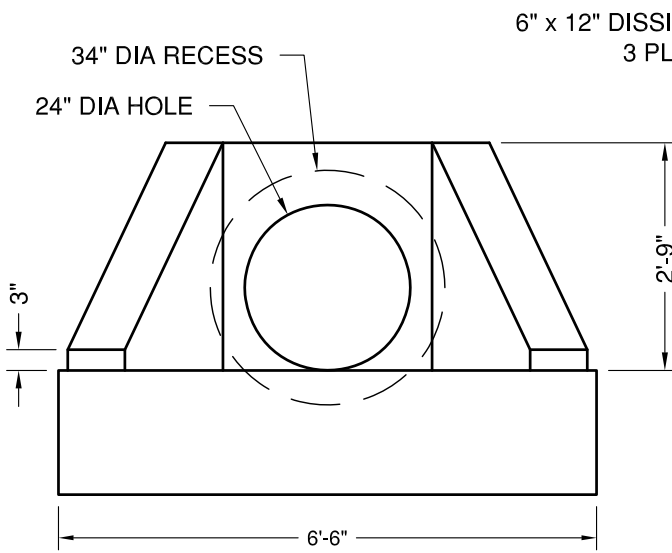
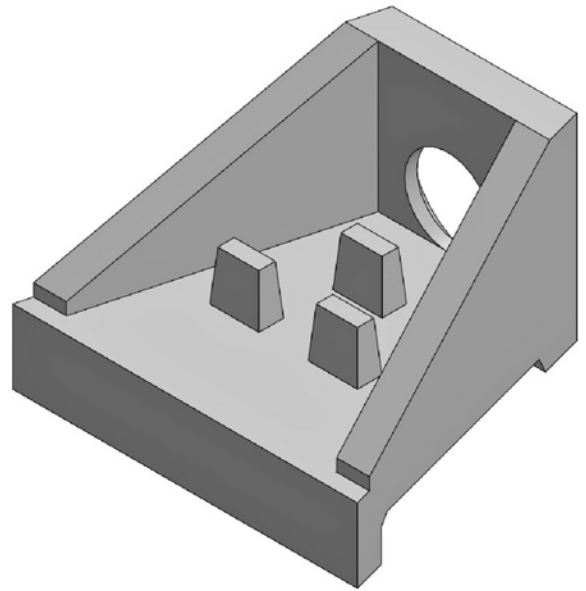
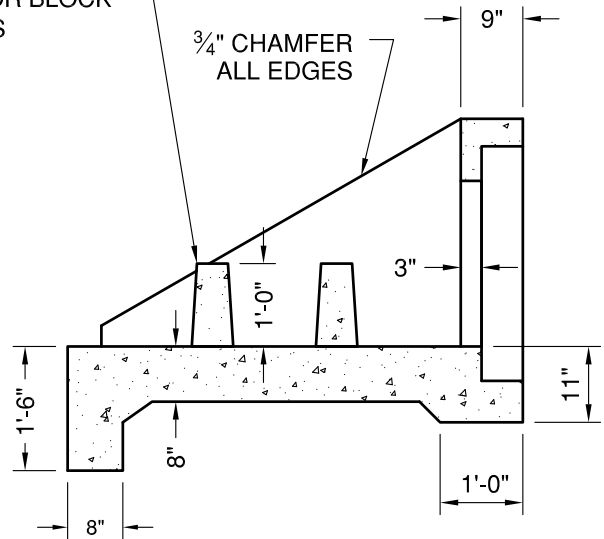


**PLAN VIEW**



**FRONT VIEW**

6" x 12" DISSIPATOR BLOCK  
3 PLACES



**SECTION VIEW**



"NPCA" CERTIFIED PLANT  
16700 SIMA GRAY RD, HENRYVILLE, IN 47126  
Phone: (812) 246-6258 Fax: (812) 294-4862

**SPECIFICATIONS**

CONCRETE: 4500 PSI @ 28 DAYS  
REINFORCEMENT: ASTM A-615, GR 60

WEIGHT: 5,370#

**SLOPED & FLARED  
DISSIPATOR HW  
24" PIPE**

DATE: 4-28-20

DWG #HW-SF-24-D