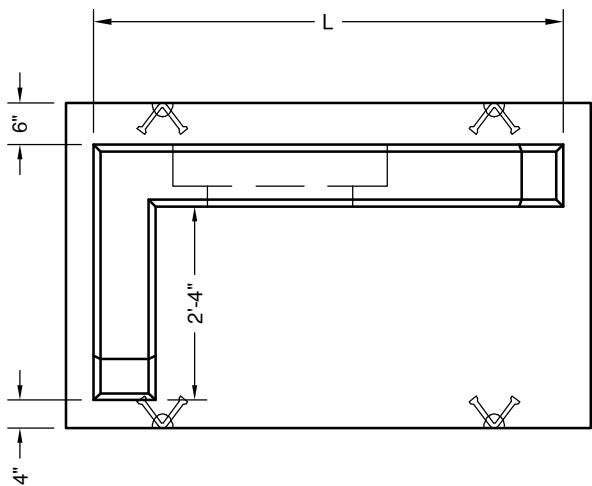
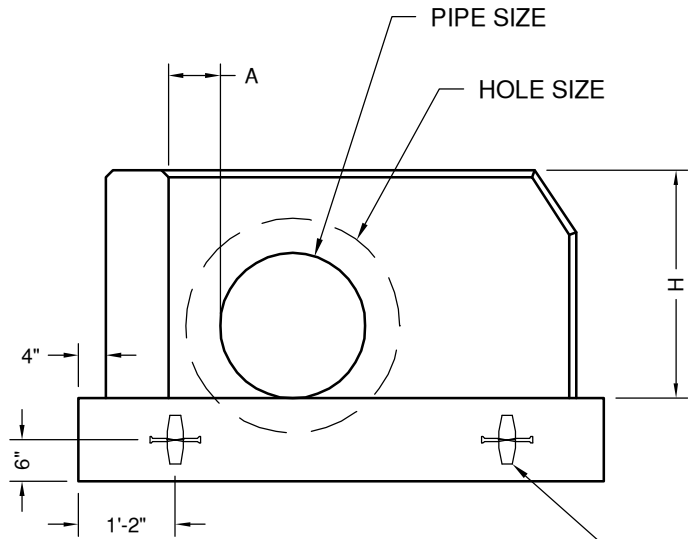


PIPE SIZE	HOLE SIZE	H	A	L	WEIGHT
21"	30"	33"	7.5"	5'-8"	5,670#
24"	34"	36"	7.75"	6'-0"	5,985#
27"	38"	40"	8"	6'-3"	6,456#
30"	40"	44"	8.25"	6'-6"	6,935#
36"	48"	51"	8.75"	7'-0"	7,746#
42"	54"	58"	9.25"	7'-8"	8,673#
48"	62"	64"	9.75"	8'-0"	9,314#

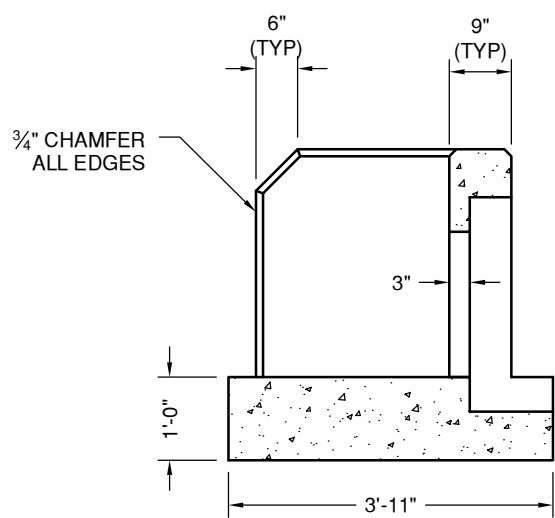


PLAN VIEW

**SHOWN AS LEFT STYLE HEADWALL
- ALSO AVAILABLE AS RIGHT**



FRONT VIEW



SECTION VIEW



"NPCA" CERTIFIED PLANT
16700 SIMA GRAY RD, HENRYVILLE, IN 47126
Phone: (812) 246-6258 Fax: (812) 294-4862

SPECIFICATIONS

CONCRETE: 4500 PSI @ 28 DAYS
REINFORCEMENT: ASTM A-615, GR 60

WEIGHT: SEE CHART

**ELL
HEADWALL
21" - 48" PIPE**

DATE: 8-10-18

DWG #HW-L-24