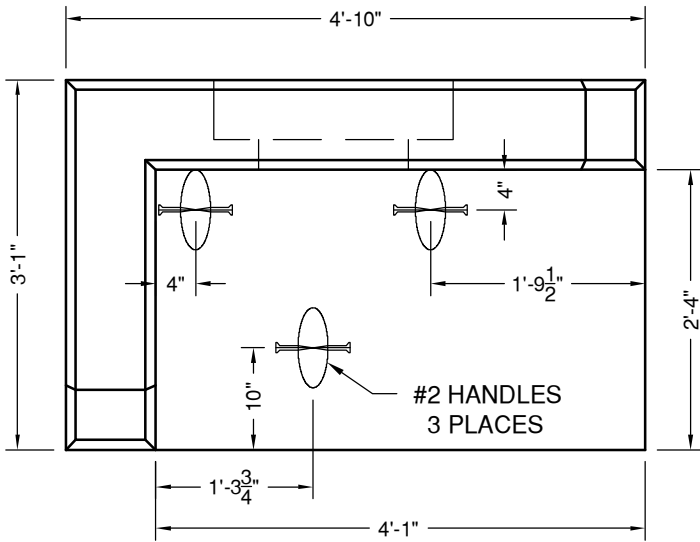
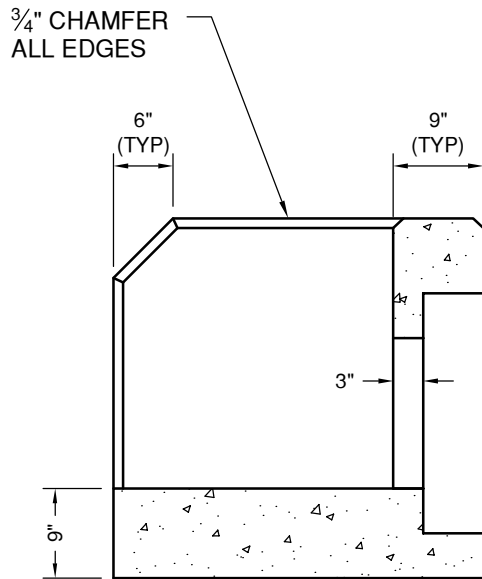
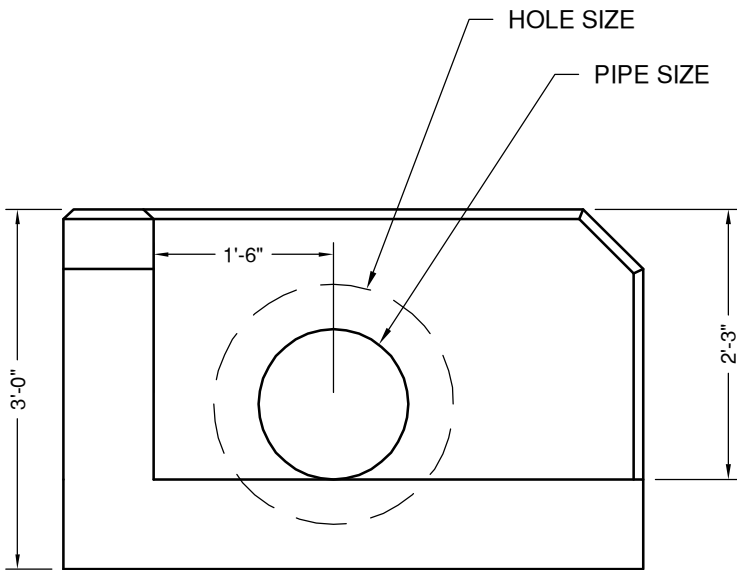


Pipe Size	Hole Size	Weight
8"	12"	3,383#
12"	20"	3,262#
15"	24"	3,173#
18"	27"	3,090#



**SHOWN AS LEFT STYLE HEADWALL
- ALSO AVAILABLE AS RIGHT**



"NPCA" CERTIFIED PLANT
16700 SIMA GRAY RD, HENRYVILLE, IN 47126
Phone: (812) 246-6258 Fax: (812) 294-4862

SPECIFICATIONS

CONCRETE: 4500 PSI @ 28 DAYS
REINFORCEMENT: ASTM A-615, GR 60

WEIGHT: SEE CHART

**ELL
HEADWALL
8" - 18" PIPE**

DATE: 8-10-18

DWG #HW-L-12