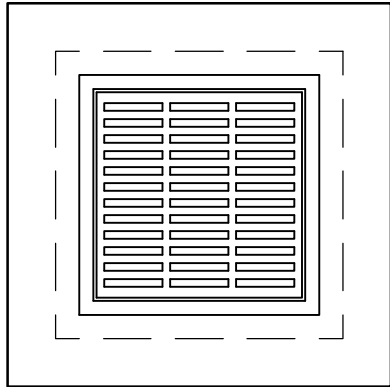


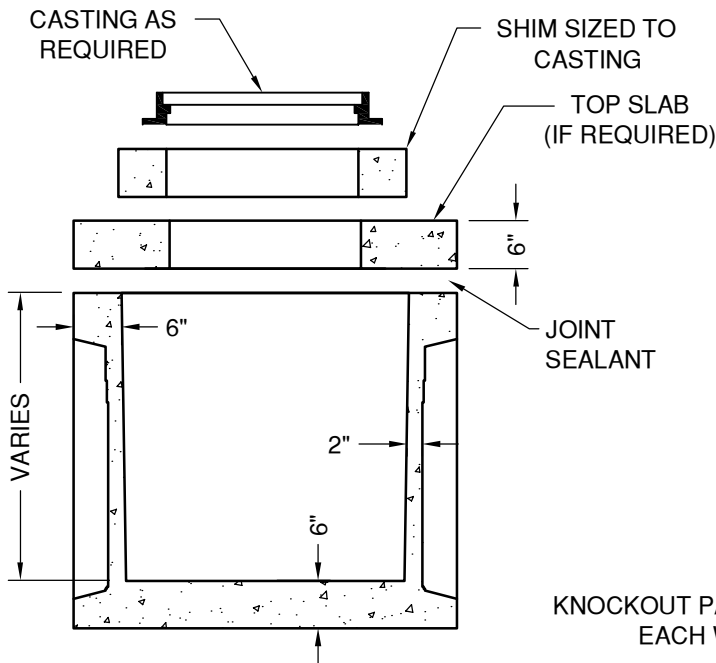
**TOP SLAB AVAILABLE  
FOR ALTERNATE  
CASTING SIZES**



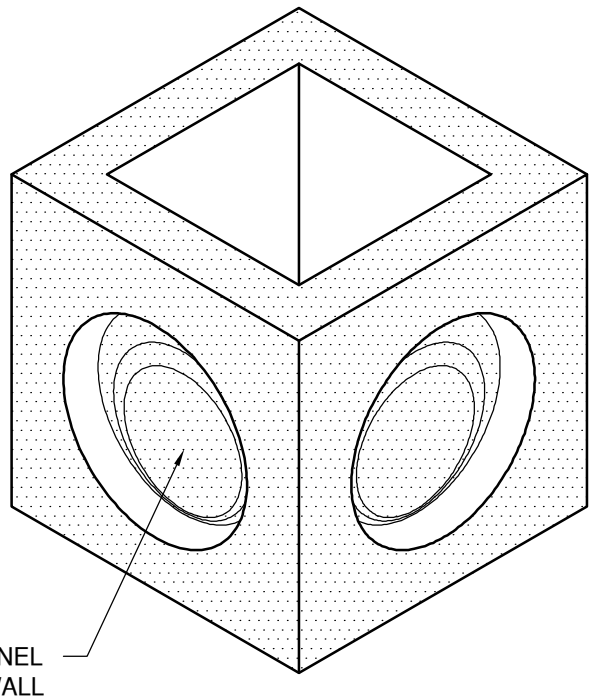
**PLAN VIEW**

KNOCKOUT BOX SIZES				
SIZE (ID)	BASE HEIGHT (ID)	MAX RCP PIPE SIZE	MAX HDPE PIPE SIZE	BASE WEIGHT
12" x 12"	14"	N/A	8"	252#
18" x 18"	24"	12"	15"	1,358#
2' x 2'	30"	15"	18"	2,018#
24" x 30"	36"	15"/21"	18"/24"	2,525#
2' x 3'	36"	15"/21"	18"/24"	2,781#
30" x 30"	42"	24"	30"	4,700#
3' x 3'	42"	24"	30"	3,725#
4' x 4'	54"	36"	36"	6,066#

**SEE INDIVIDUAL DRAWING FOR  
SPECIFIC DETAILS**



**SECTION VIEW**



**ISOMETRIC VIEW**



"NPCA" CERTIFIED PLANT  
16700 SIMA GRAY RD, HENRYVILLE, IN 47126  
Phone: (812) 246-6258 Fax: (812) 294-4862

**SPECIFICATIONS**

CONCRETE: 4500 PSI @ 28 DAYS  
REINFORCEMENT: ASTM A-615, GR 60  
DESIGN LOAD: AASHTO HS-20

WEIGHT: See Chart

**KNOCKOUT  
CATCH BASIN  
8" - 36" PIPE**

DATE: 12-6-16

DWG #CB-KO-01