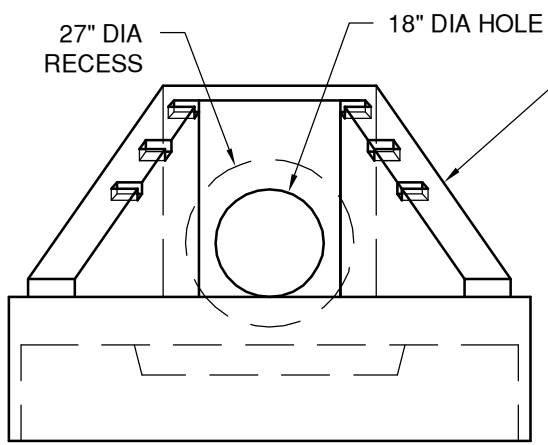
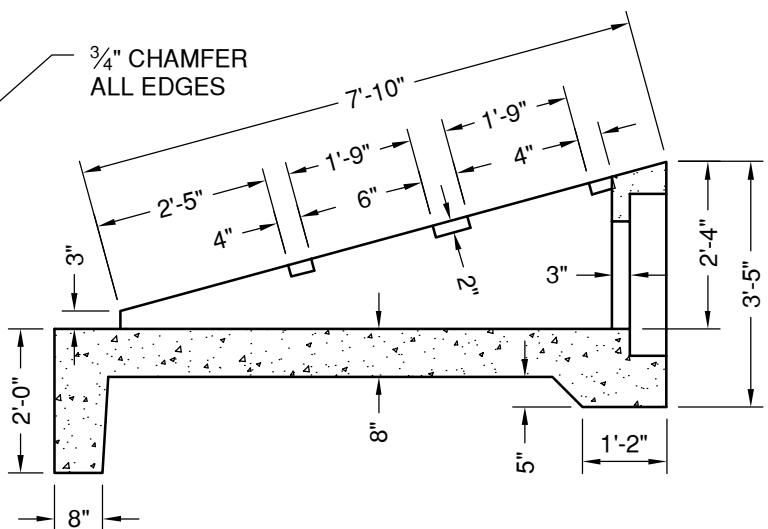


**PLAN VIEW**

Grate Size	Qty	Weight
2'-0" x 2'-6 1/2" => 3'-5 3/4"	1	116#
2'-0" x 3'-7 5/8" => 4'-6 7/8"	1	156#



**FRONT VIEW**



**SECTION VIEW**



"NPCA" CERTIFIED PLANT  
 16700 SIMA GRAY RD, HENRYVILLE, IN 47126  
 Phone: (812) 246-6258 Fax: (812) 294-4862

**SPECIFICATIONS**

CONCRETE: 4500 PSI @ 28 DAYS  
 REINFORCEMENT: ASTM A-615, GR 60  
 DESIGN SPECIFICATION: KYTC RDB-105-05  
 GRATE DESIGN SPECIFICATION: KYTC RDB-106-04

WEIGHT: 7,290#

**SLOPED & FLARED BOX  
 INLET / OUTLET  
 18" PIPE**

DATE: 03-27-18

DWG #HW-SFIO-18