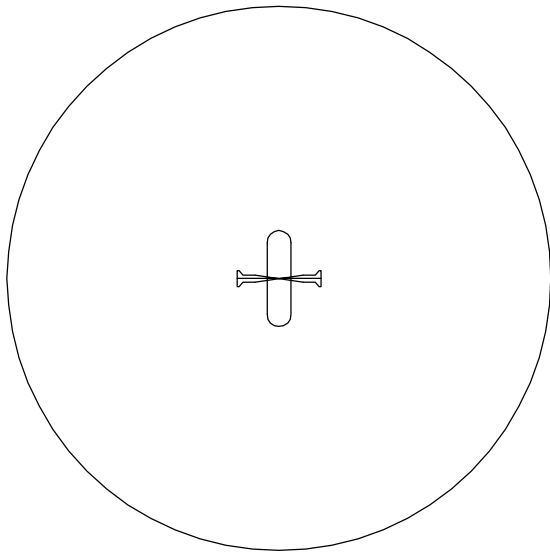
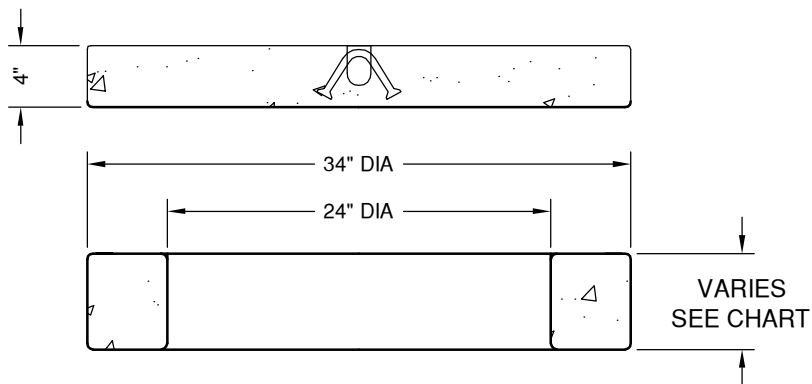


24" GRADE RING OPTIONS		
ITEM	HEIGHT (ID)	WEIGHT
GRADE RING	3"	119#
GRADE RING	4"	157#
GRADE RING	5"	198#
GRADE RING	6"	237#
GRADE RING	8"	316#
GRADE RING	12"	475#
GRADE RING	24"	950#
GRADE RING LID	4"	315#



PLAN VIEW



SECTION VIEW



"NPCA" CERTIFIED PLANT
 16700 SIMA GRAY RD, HENRYVILLE, IN 47126
 Phone: (812) 246-6258 Fax: (812) 294-4862

SPECIFICATIONS

CONCRETE: 4500 PSI @ 28 DAYS
 REINFORCEMENT: ASTM A-615, GR 60
 DESIGN LOAD: AASHTO HS-20
 DESIGN SPECIFICATION: ASTM C-478

WEIGHT: See Chart

**GRADE RING
 FLAT JOINT
 24" DIAMETER**

DATE: 3-26-18

DWG #MH-GR24F