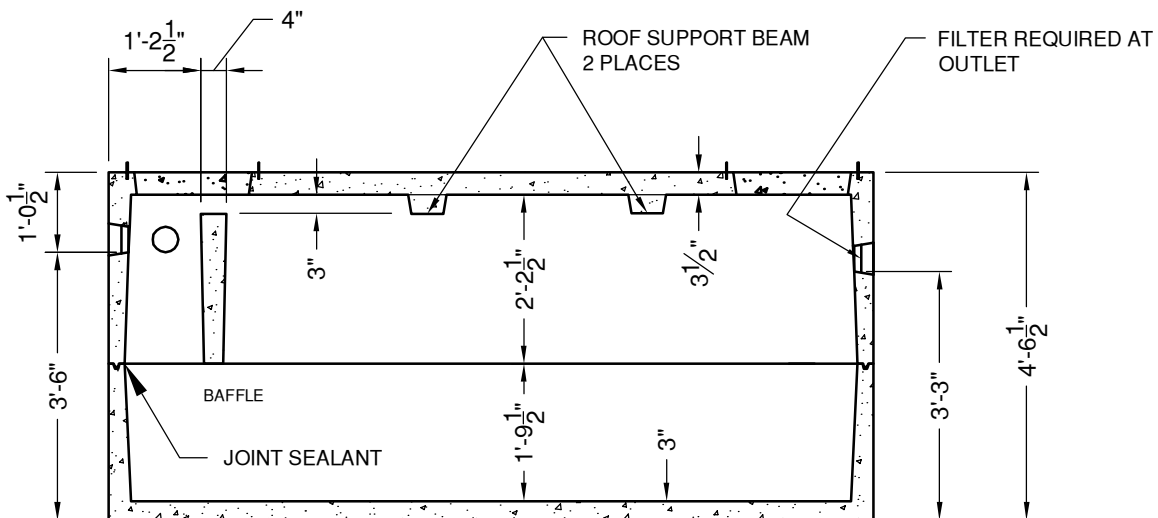


PLAN VIEW

18 1/2" DIA CONCRETE PLUG
& 20" DIA HDPE RISER
STARTER RING @ EACH END



SECTION VIEW

3 Ø BAR @ 18" OC/EW



"NPCA" CERTIFIED PLANT

16700 SIMA GRAY RD, HENRYVILLE, IN 47126
Phone: (812) 246-6258 Fax: (812) 294-4862

SPECIFICATIONS

CONCRETE: 4500 PSI @ 28 DAYS
REINFORCEMENT: ASTM A-615, GR 60
LOAD DESIGN: NON-TRAFFIC 18" MAX COVER

WEIGHT: 9,314#

**SEPTIC TANK
1000 GALLON
INDIANA**

DATE: 2-1-17

DWG #ST-IN-1000