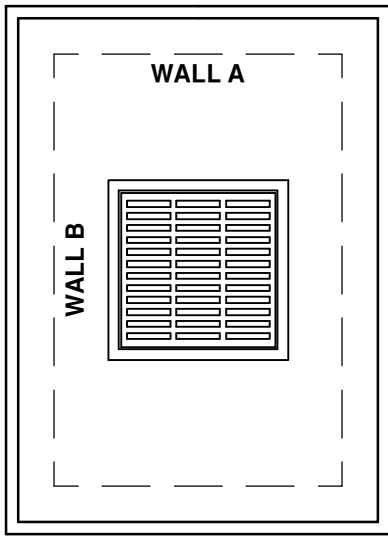


**ALTERNATE SIZES
AVAILABLE - AS REQUIRED**

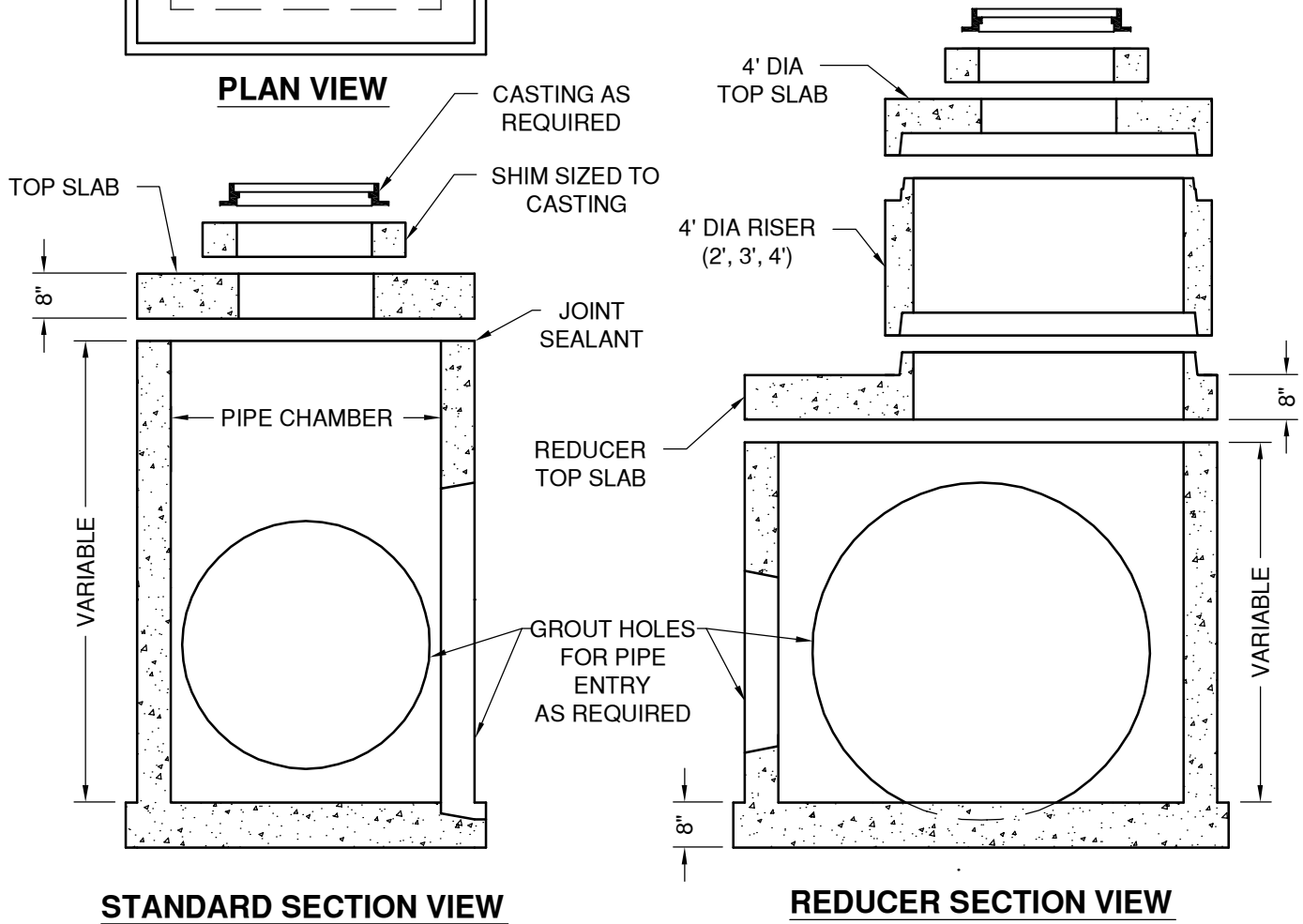


PLAN VIEW

COMMON BOX SIZES

PIPE CHAMBER SIZE (ID)	WALL	MAX PIPE SIZE WALL A	MAX PIPE SIZE WALL B	MAX 6' BASE WEIGHT
4' x 6'	6"	36"	54"	13,811# (1650#/VF)
5' x 5'	6"	48"	48"	13,911# (1650#/VF)
6' x 6'	6"	54"	54"	17,078# (1950#/VF)
4' x 8'	8"	36"	72"	21,478# (2667#/VF)
6' x 8'	8"	54"	72"	25,811# (3067#/VF)

NOTE: PIPES ENTERING BOX AT ANGLES
MAY REQUIRE NEXT LARGER BOX SIZE



STANDARD SECTION VIEW

REDUCER SECTION VIEW



"NPCA" CERTIFIED PLANT
16700 SIMA GRAY RD, HENRYVILLE, IN 47126
Phone: (812) 246-6258 Fax: (812) 294-4862

SPECIFICATIONS

CONCRETE: 4500 PSI @ 28 DAYS
REINFORCEMENT: ASTM A-615, GR 60
DESIGN LOAD: AASHTO HS-20

WEIGHT: See Chart

**CATCH BASIN
36" - 72" PIPE**

DATE: 12-19-16

DWG #CB-STD-03