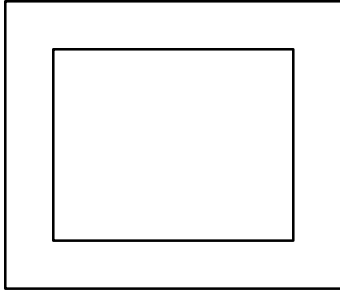


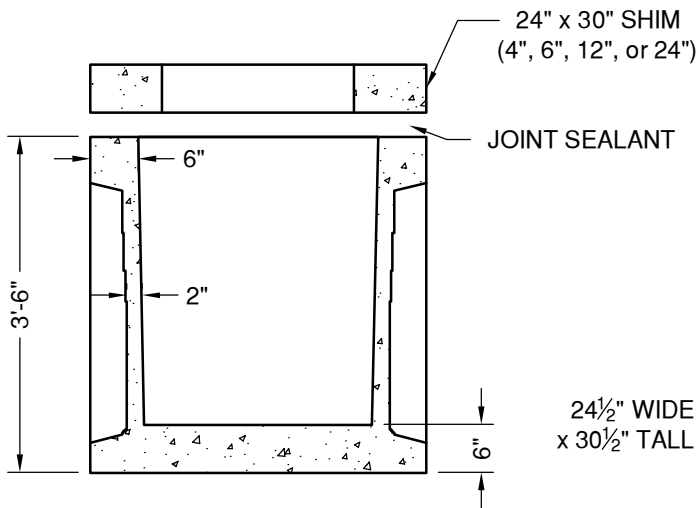
24" x 30" COMPONENTS

SIZE (ID)	HEIGHT (ID)	WEIGHT
BASE	36"	2,525#
SHIM	4"	275#
SHIM	6"	413#
SHIM	12"	826#
SHIM	24"	1,652#

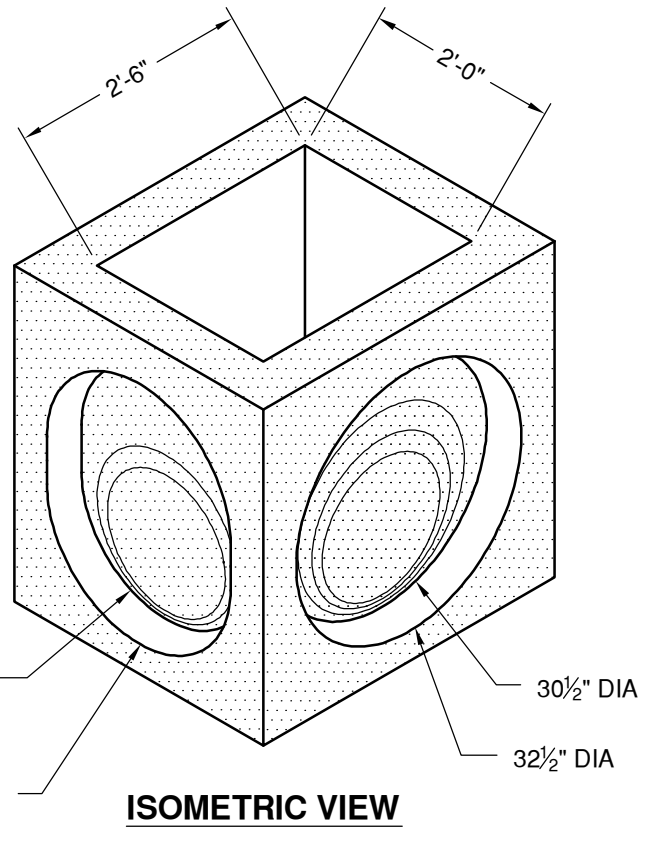
**TOP SLAB AVAILABLE
FOR ALTERNATE
CASTING SIZES**



PLAN VIEW



SECTION VIEW



ISOMETRIC VIEW

MAX PIPE SIZE
2' SIDE - 15" RCP/18" HDPE
2'-6" SIDE - 21" RCP/24" HDPE



"NPCA" CERTIFIED PLANT
 16700 SIMA GRAY RD, HENRYVILLE, IN 47126
 Phone: (812) 246-6258 Fax: (812) 294-4862

SPECIFICATIONS

CONCRETE: 4500 PSI @ 28 DAYS
 REINFORCEMENT: ASTM A-615, GR 60
 DESIGN LOAD: AASHTO HS-20

WEIGHT: See Chart

**24" x 30" KNOCKOUT
CATCH BASIN**

DATE: 11-18-16

DWG #CB-KO-2430