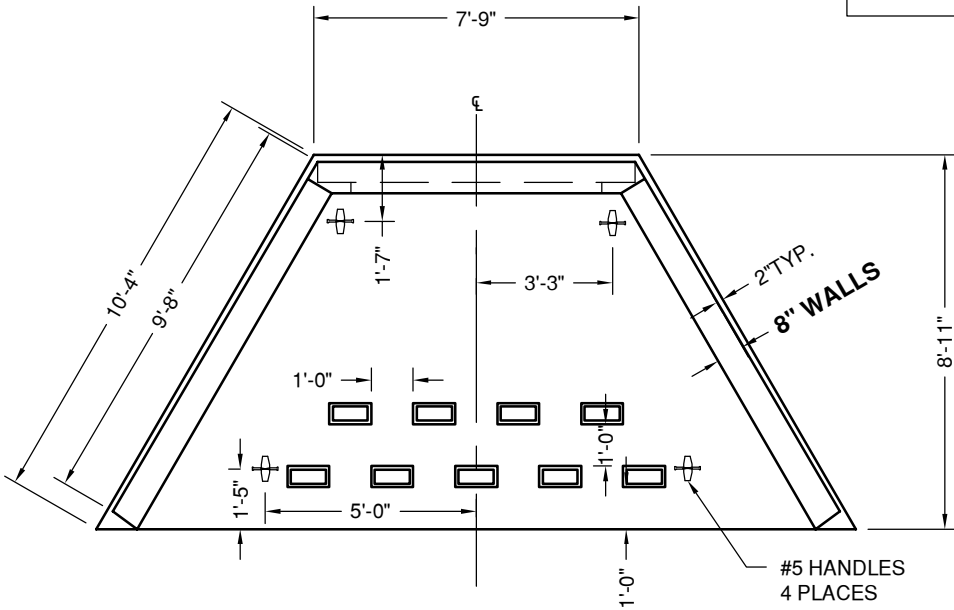
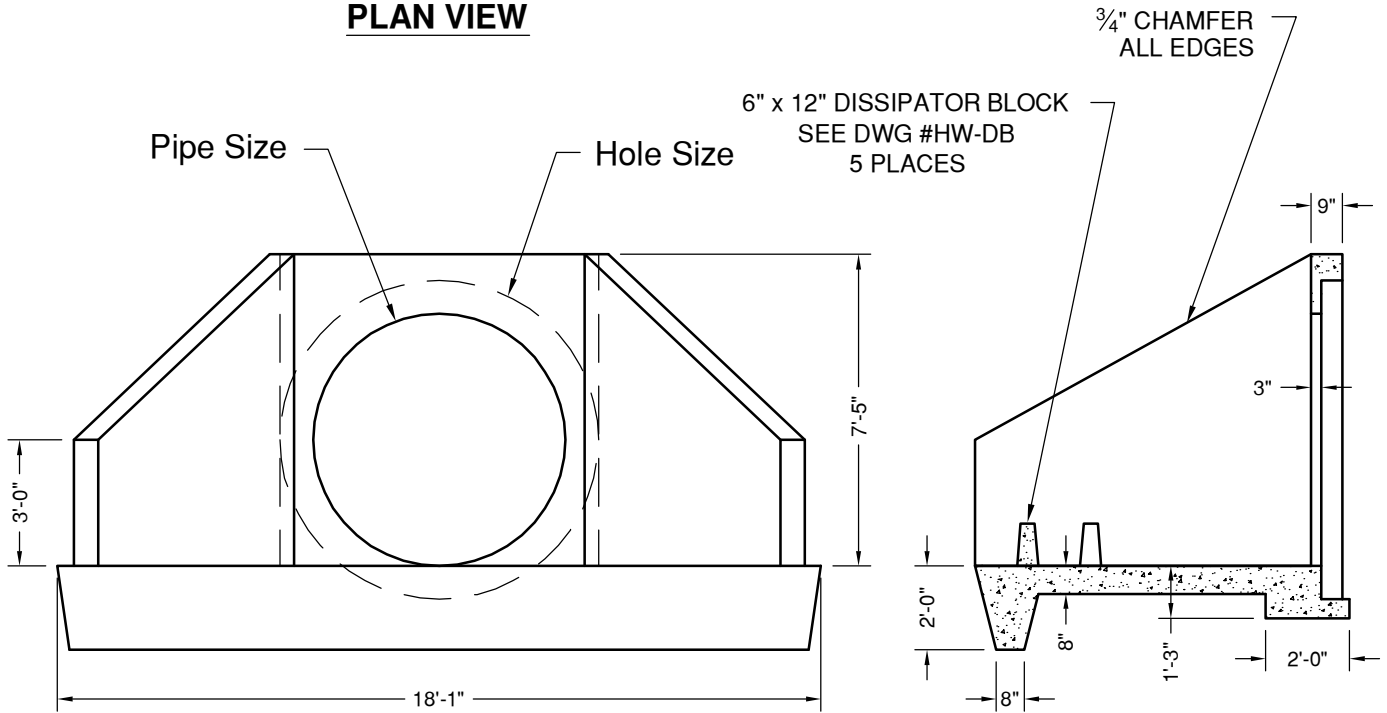


Pipe Size	Hole Size	Weight
66"	84"	30,470#
72"	91"	29,800#



PLAN VIEW



FRONT VIEW

SECTION VIEW



"NPCA" CERTIFIED PLANT
 16700 SIMA GRAY RD, HENRYVILLE, IN 47126
 Phone: (812) 246-6258 Fax: (812) 294-4862

SPECIFICATIONS

CONCRETE: 4500 PSI @ 28 DAYS
 REINFORCEMENT: ASTM A-615, GR 60

WEIGHT: SEE CHART

**SLOPED & FLARED
 DISSIPATOR HEADWALL
 66"-72" PIPE**

DATE: 1-3-17

DWG #HW-SF-72-D