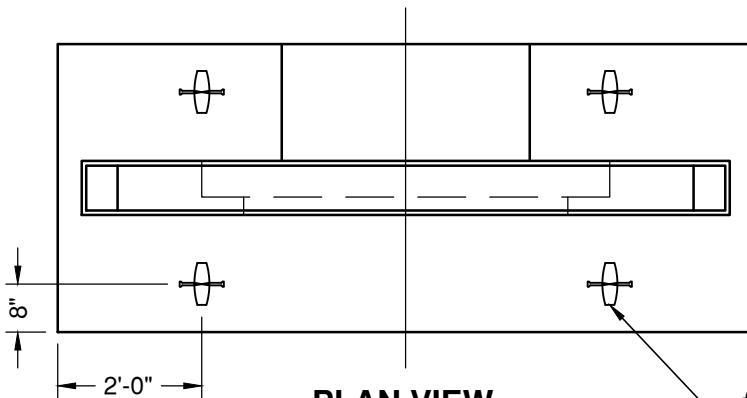
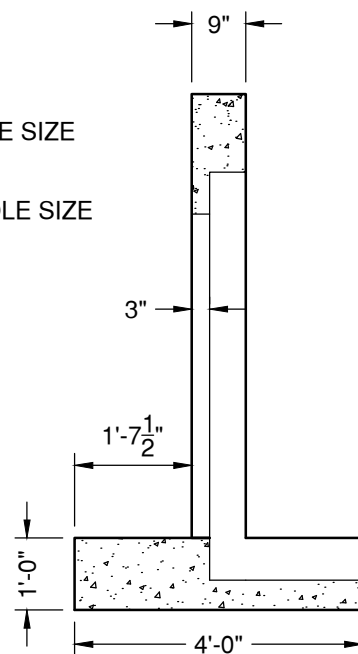
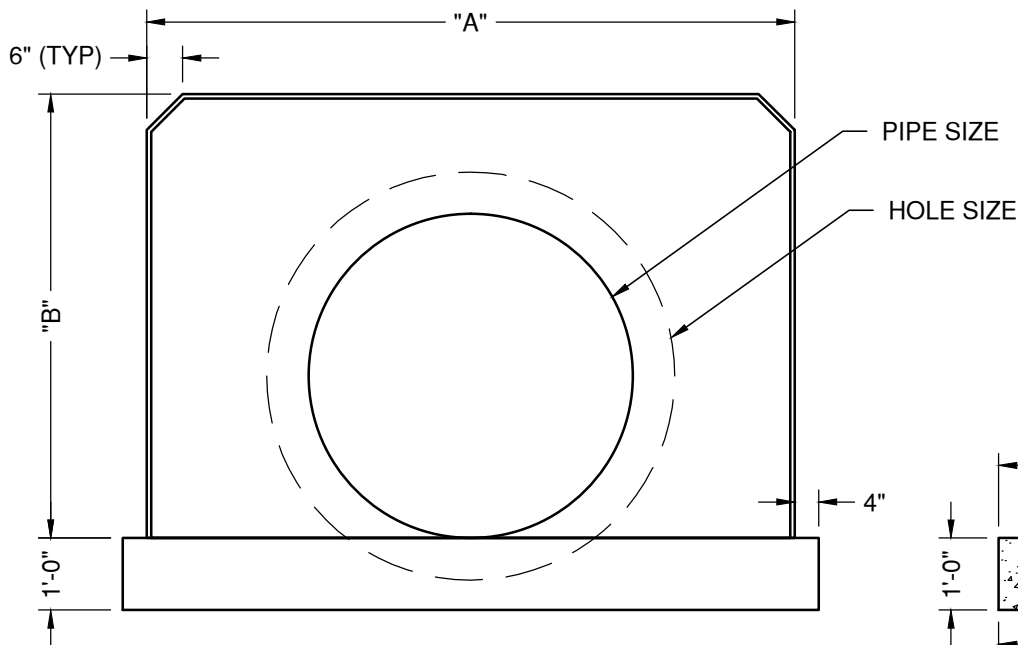


## Headwall Dimensions

PIPE SIZE	HOLE SIZE	"A"	"B"	Structure Weight
42"	55"	8'-0"	4'-10"	7,652#
48"	63"	8'-0"	5'-5"	7,593#
54"	70"	9'-0"	6'-0"	8,829#
60"	77"	9'-0"	6'-7"	8,796#
66"	84"	10'-0"	7'-2"	10,111#
72"	91"	10'-0"	7'-9"	10,027#



#5 HANDLES  
4 PLACES



"NPCA" CERTIFIED PLANT  
16700 SIMA GRAY RD, HENRYVILLE, IN 47126  
Phone: (812) 246-6258 Fax: (812) 294-4862

### SPECIFICATIONS

CONCRETE: 4500 PSI @ 28 DAYS  
REINFORCEMENT: ASTM A-615, GR 60

WEIGHT: See Chart

**STANDARD FLAT  
HEADWALL  
42" - 72" PIPE**

DATE: 11-16-16

DWG #HW-ST-48