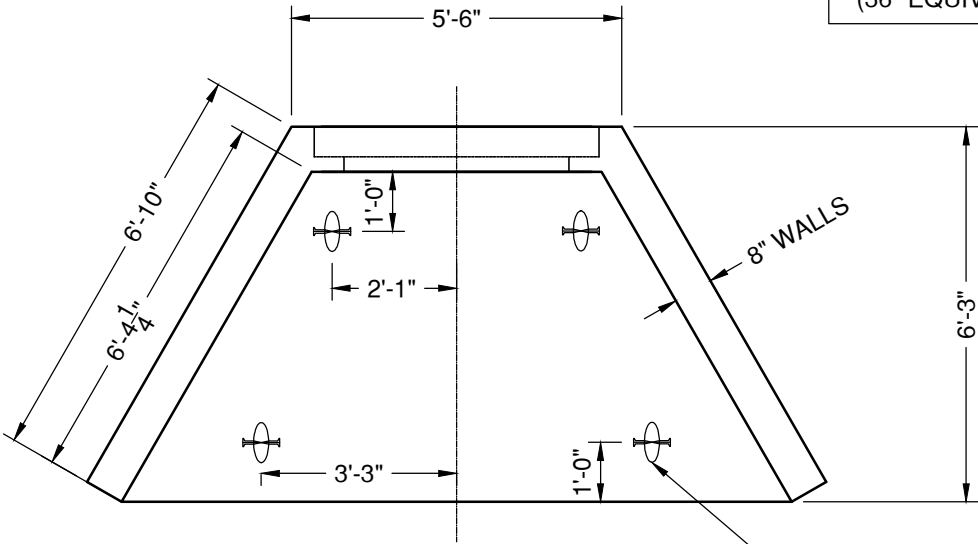
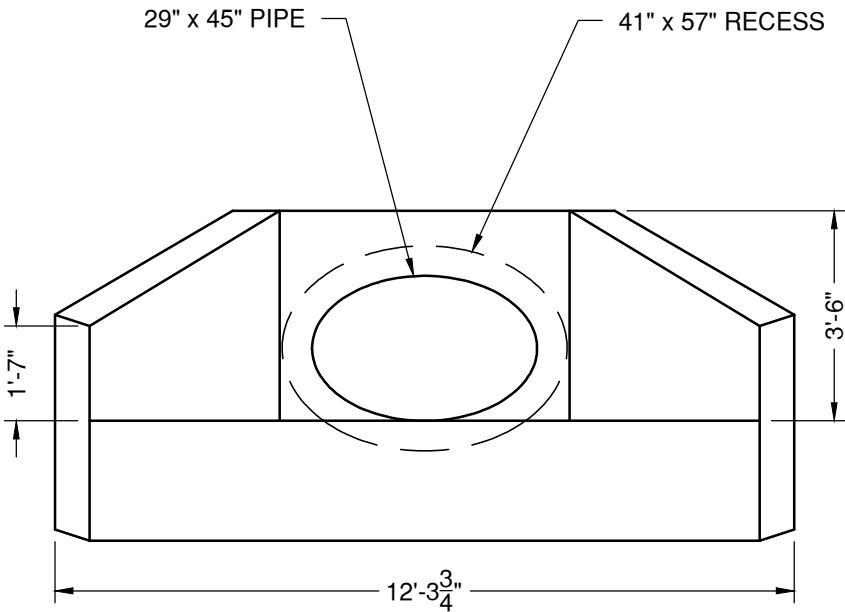


Pipe Size	Hole Size	Weight
29" x 45" (36" EQUIV)	41" x 57"	12,209#

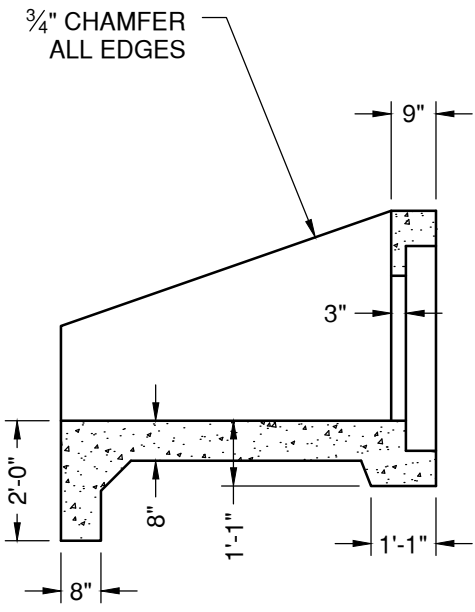


PLAN VIEW

#2 HANDLES
4 PLACES



FRONT VIEW



SECTION VIEW



"NPCA" CERTIFIED PLANT
16700 SIMA GRAY RD, HENRYVILLE, IN 47126
Phone: (812) 246-6258 Fax: (812) 294-4862

SPECIFICATIONS

CONCRETE: 4500 PSI @ 28 DAYS
REINFORCEMENT: ASTM A-615, GR 60

WEIGHT: 12,209#

**SLOPED & FLARED
HEADWALL
29" x 45" PIPE**

DATE: 11-17-16

DWG #HW-SF-E36