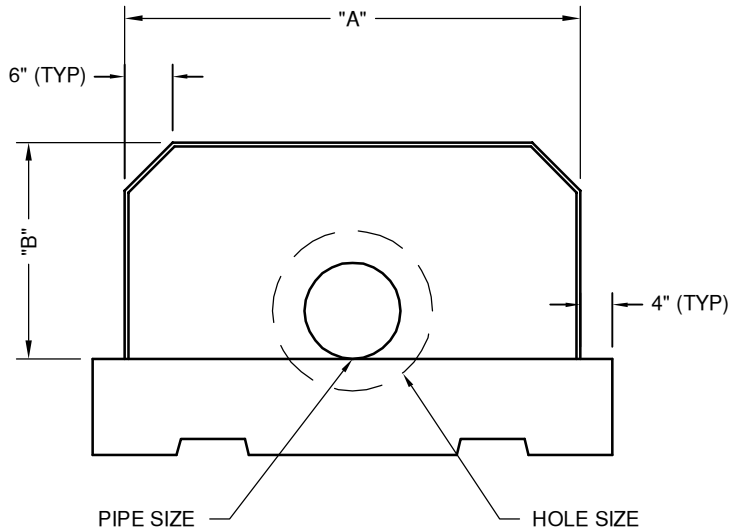
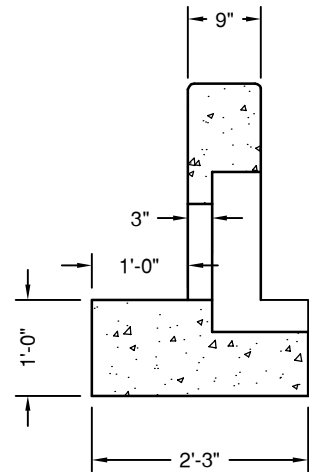


Headwall Dimensions				
PIPE SIZE	HOLE SIZE	"A"	"B"	Structure Weight
8"	12"	5'-0"	1'-10"	2,837#
12"	20"	5'-0"	1'-10"	2,699#
15"	24"	5'-0"	2'-2"	2,790#
18"	27"	5'-0"	2'-5"	2,846#
21"	31"	6'-0"	2'-9"	3,878#
24"	34"	6'-0"	3'-0"	3,937#
27"	38"	6'-0"	3'-4"	4,003#
30"	41"	7'-0"	3'-7"	4,833#
36"	48"	7'-0"	4'-2"	4,942#



**FRONT VIEW**



**SECTION VIEW**



"NPCA" CERTIFIED PLANT  
 16700 SIMA GRAY RD, HENRYVILLE, IN 47126  
 Phone: (812) 246-6258 Fax: (812) 294-4862

**SPECIFICATIONS**

CONCRETE: 4500 PSI @ 28 DAYS  
 REINFORCEMENT: ASTM A-615, GR 60

WEIGHT: See Chart

**STANDARD FLAT  
 HEADWALL  
 8" - 36" PIPE**

DATE: 12-16-16

DWG #HW-ST-12