

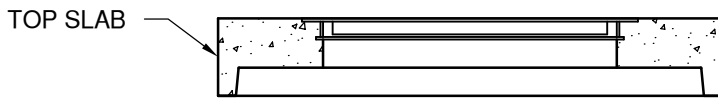
PLAN VIEW

INFLUENT
PIPE(S)
AS REQUIRED

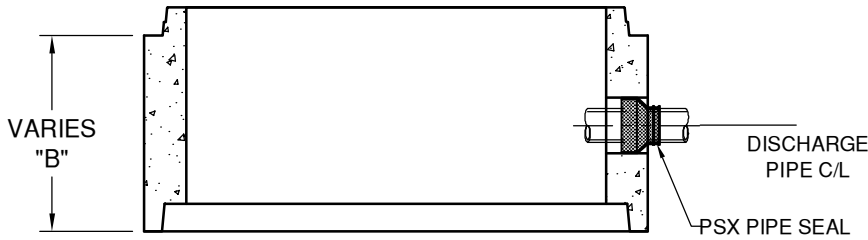
DISCHARGE
PIPE(S)
AS REQUIRED

STANDARD SIZES

SIZE (ID) "A"	MAX "B"	WALL	MAX RISER WEIGHT
48" DIA	48"	5"	3,464# (866#/VF)
60" DIA	60"	6"	6,500# (1,300#/VF)
72" DIA	72"	7"	10,800# (1,800#/VF)
96" DIA	96"	9"	24,744# (3,093#/VF)

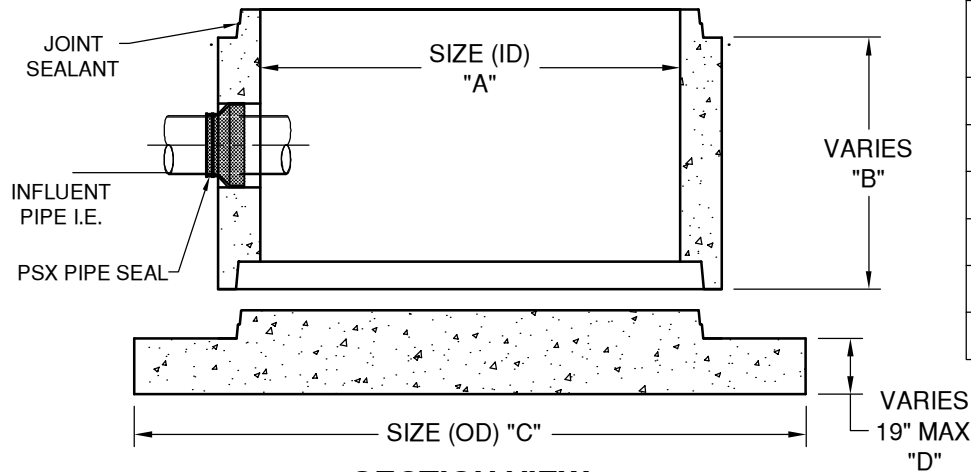


TOP SLAB



VARIES
"B"

DISCHARGE
PIPE C/L
PSX PIPE SEAL



JOINT
SEALANT

SIZE (ID)
"A"

VARIES
"B"

INFLUENT
PIPE I.E.

PSX PIPE SEAL

SIZE (OD) "C"

VARIES
19" MAX
"D"

SECTION VIEW

BASE SIZES

SIZE (OD) "C"	MIN "D" WEIGHT	MAX "D" WEIGHT
6' DIA	2,900#	
7'-2" DIA	3,800#	
8' DIA	6,600#	13,500#
9'-6" DIA	11,000#	19,000#
10'-6" DIA	16,800#	
11'-6" DIA	19,400#	28,500#



"NPCA" CERTIFIED PLANT
16700 SIMA GRAY RD, HENRYVILLE, IN 47126
Phone: (812) 246-6258 Fax: (812) 294-4862

SPECIFICATIONS

CONCRETE: 4500 PSI @ 28 DAYS
REINFORCEMENT: ASTM A-615, GR 60
DESIGN LOAD: AASHTO HS-20 (HATCH PER SPECS)
DESIGN SPECIFICATION: ASTM C-478

WEIGHT: See Chart

**LIFT STATION
4' DIA - 8' DIA
EXTENDED BASE**

DATE: 1-20-16

DWG #LS-48-96-EB