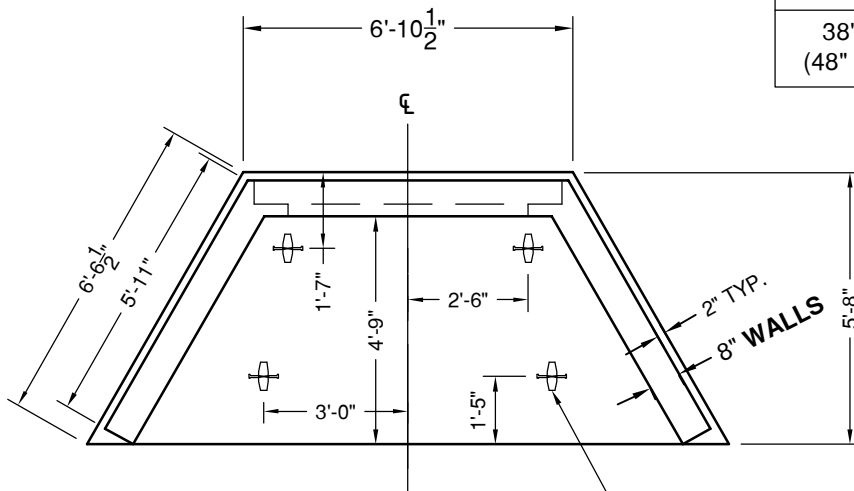
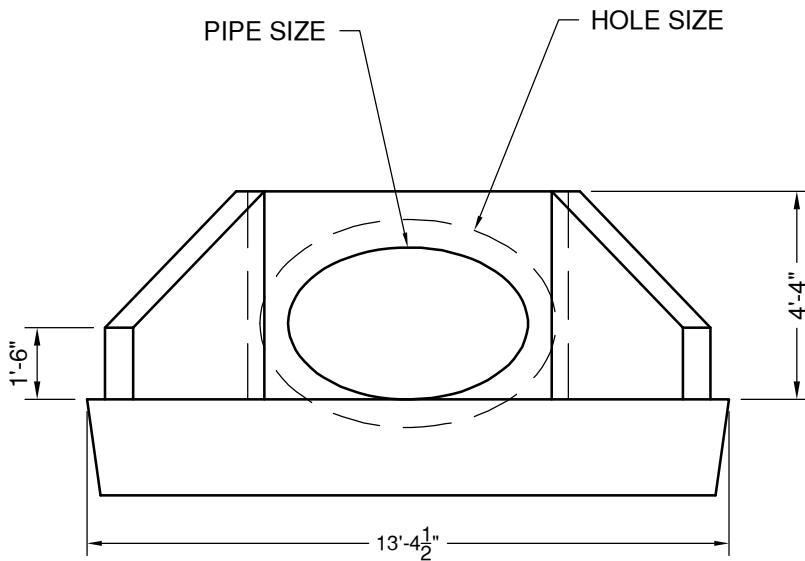


Pipe Size	Hole Size	Weight
34" x 53" (42" EQUIV)	47" x 66"	12,700#
38" x 60" (48" EQUIV)	52" x 74"	12,300#

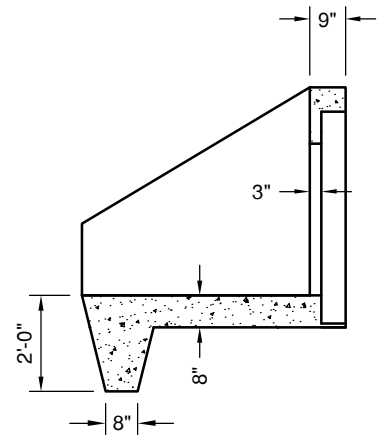


PLAN VIEW

#5 HANDLES
4 PLACES



FRONT VIEW



SECTION VIEW



"NPCA" CERTIFIED PLANT
16700 SIMA GRAY RD, HENRYVILLE, IN 47126
Phone: (812) 246-6258 Fax: (812) 294-4862

SPECIFICATIONS

CONCRETE: 4500 PSI @ 28 DAYS
REINFORCEMENT: ASTM A-615, GR 60

WEIGHT: See Chart

**SLOPED & FLARED
HEADWALL
34 x 53 - 38 x 60 PIPE**

DATE: 4-11-17

DWG #HW-SF-E48