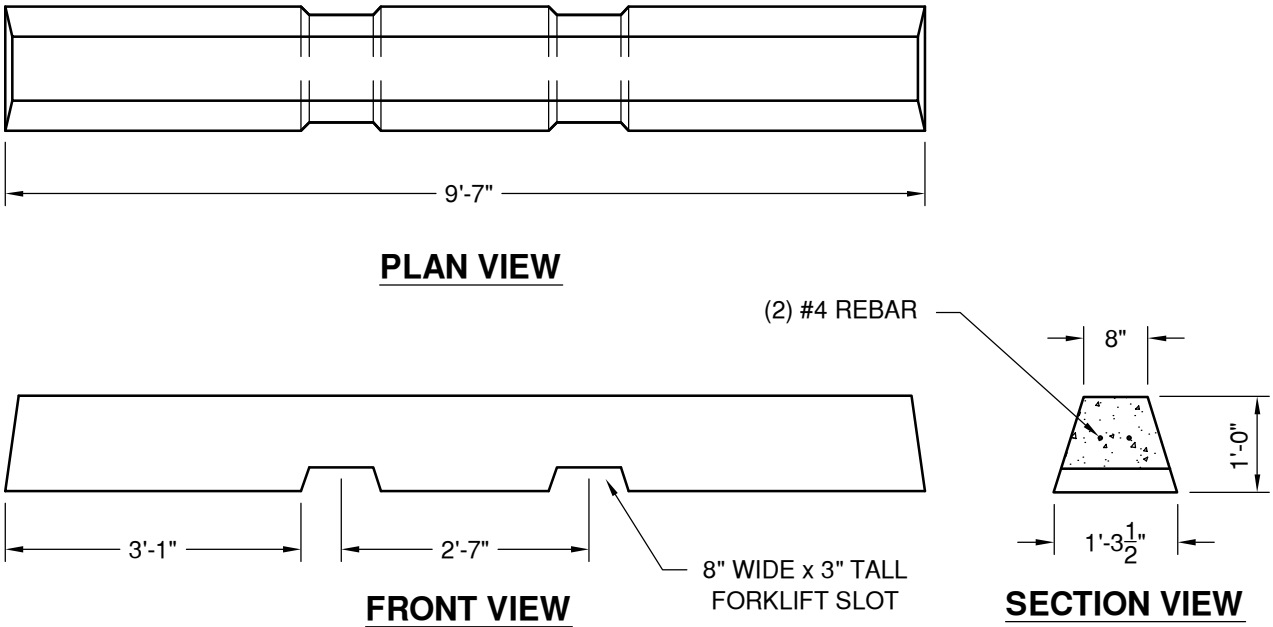


STANDARD 6 FT - LOW PROFILE



LARGE - HIGH PROFILE



"NPCA" CERTIFIED PLANT
16700 SIMA GRAY RD, HENRYVILLE, IN 47126
Phone: (812) 246-6258 Fax: (812) 294-4862

SPECIFICATIONS	
CONCRETE: 4500 PSI @ 28 DAYS	
REINFORCEMENT: ASTM A-615, GR 60	

WEIGHT: Std 200#, Large 1,407#
PARKING BUMPERS
DATE: 1-24-17 DWG #MISC-PB