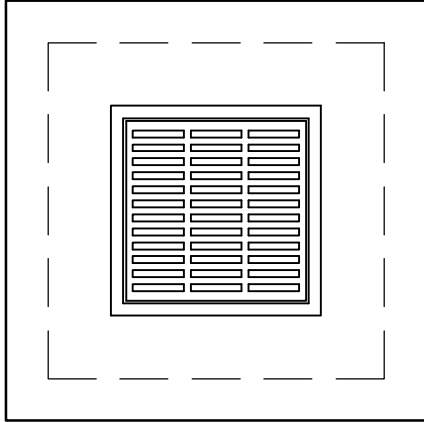
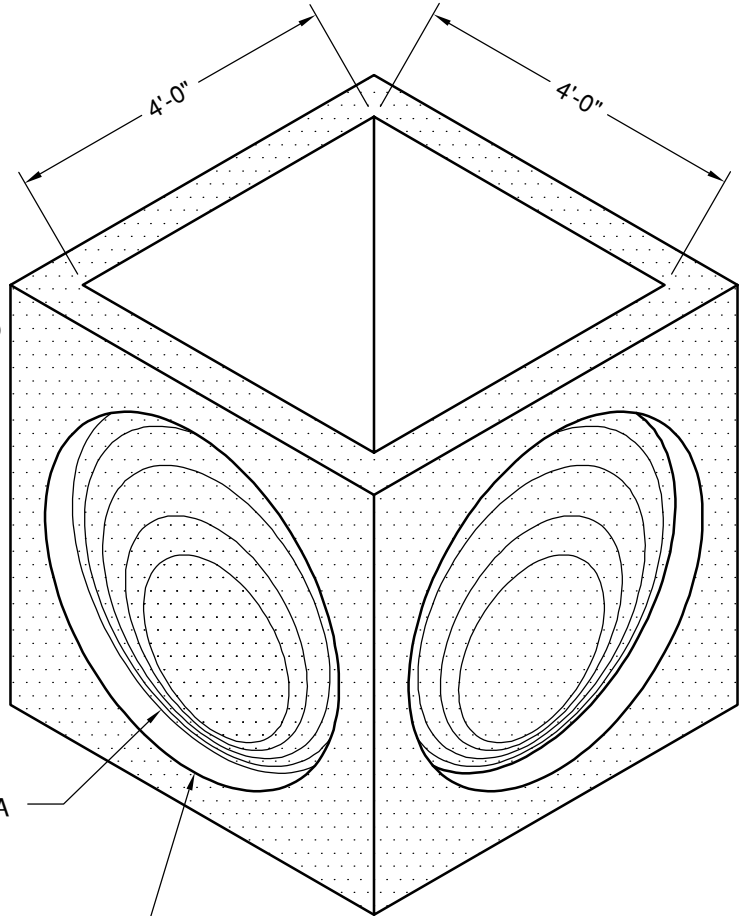


**TOP SLAB AVAILABLE  
FOR ALTERNATE  
CASTING SIZES**

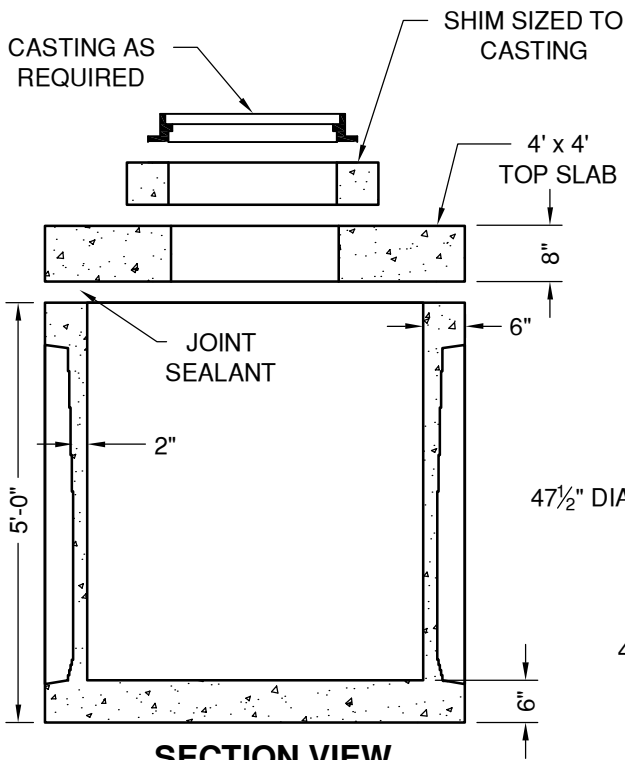


**PLAN VIEW**

4' x 4' COMPONENTS		
SIZE (ID)	HEIGHT (ID)	WEIGHT
BASE	54"	6,066#
TOP SLAB	6" (2'x3' HOLE)	1,900#
TOP SLAB	8" (2'x2' HOLE)	2,100#
TOP SLAB	8" SOLID	2,500#



**ISOMETRIC VIEW**



**SECTION VIEW**

**MAX PIPE SIZE  
36" RCP/36" HDPE**



"NPCA" CERTIFIED PLANT  
16700 SIMA GRAY RD, HENRYVILLE, IN 47126  
Phone: (812) 246-6258 Fax: (812) 294-4862

**SPECIFICATIONS**

CONCRETE: 4500 PSI @ 28 DAYS  
REINFORCEMENT: ASTM A-615, GR 60  
DESIGN LOAD: AASHTO HS-20

WEIGHT: See Chart

**4' x 4' KNOCKOUT  
CATCH BASIN**

DATE: 11-18-16

DWG #CB-KO-4848