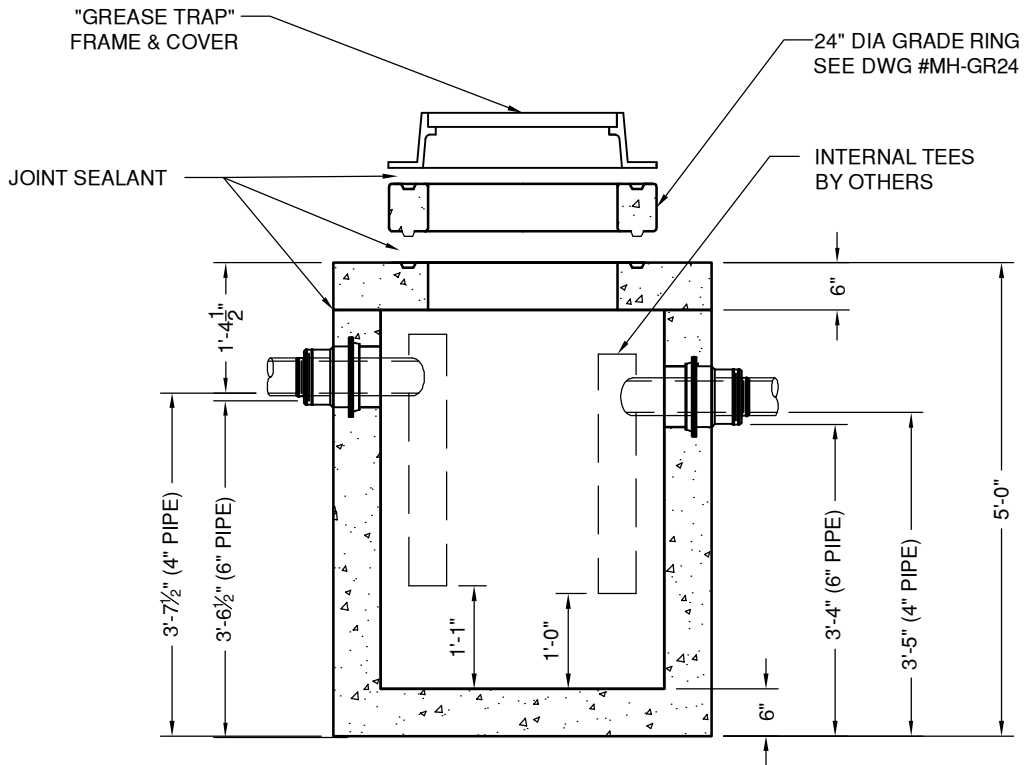


PLAN VIEW



SECTION VIEW



"NPCA" CERTIFIED PLANT
 16700 SIMA GRAY RD, HENRYVILLE, IN 47126
 Phone: (812) 246-6258 Fax: (812) 294-4862

SPECIFICATIONS

CONCRETE: 4500 PSI @ 28 DAYS
 REINFORCEMENT: ASTM A-615, GR 60
 LOAD DESIGN: AASHTO HS-20

WEIGHT: BASE 4,500# LID 780#

**GREASE TRAP
 130 GALLON
 TRAFFIC**

DATE: 10-11-16

DWG #GT-130