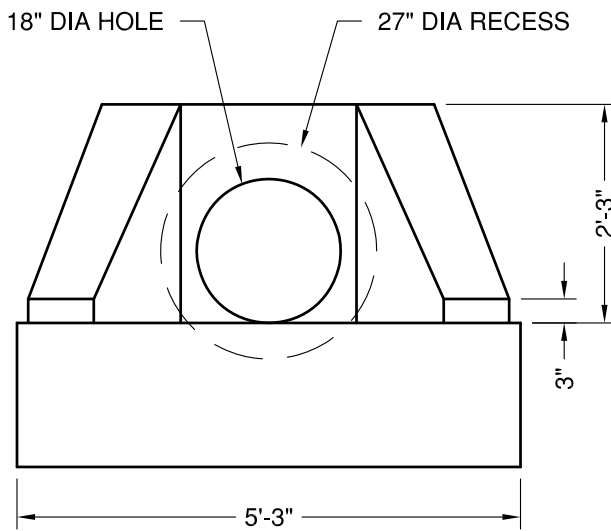
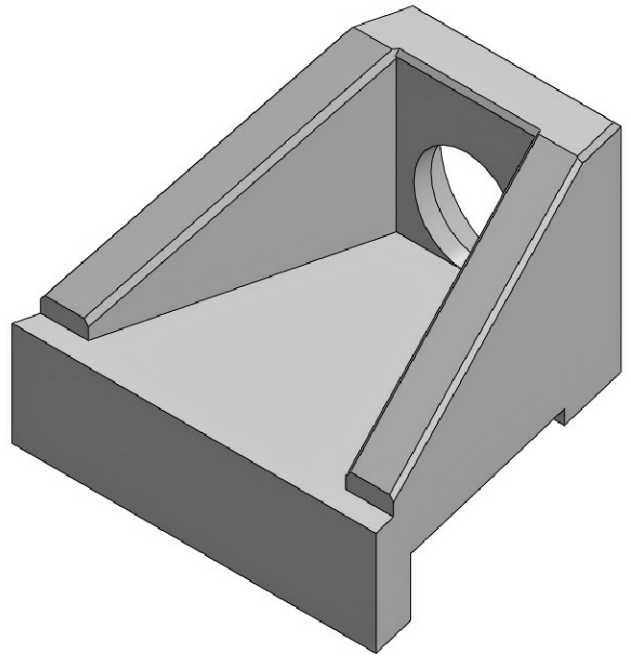
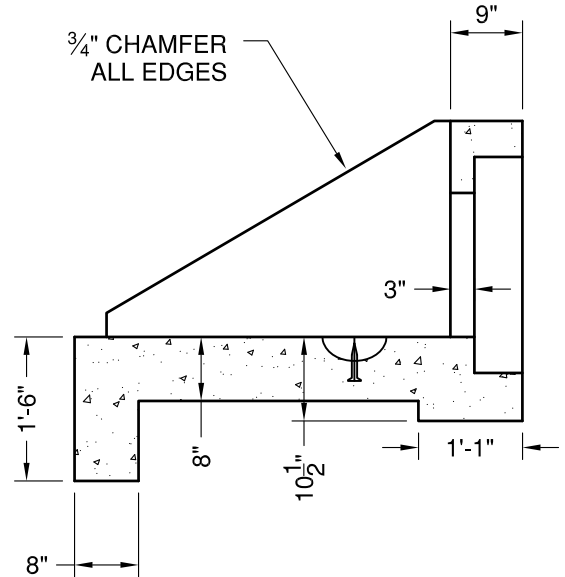


PLAN VIEW

#2 HANDLES
3 PLACES



FRONT VIEW



SECTION VIEW



"NPCA" CERTIFIED PLANT
16700 SIMA GRAY RD, HENRYVILLE, IN 47126
Phone: (812) 246-6258 Fax: (812) 294-4862

SPECIFICATIONS

CONCRETE: 4500 PSI @ 28 DAYS
REINFORCEMENT: ASTM A-615, GR 60

WEIGHT: 3,815#

**SLOPED & FLARED
HEADWALL
18" PIPE**

DATE: 3-25-20

DWG #HW-SF-18