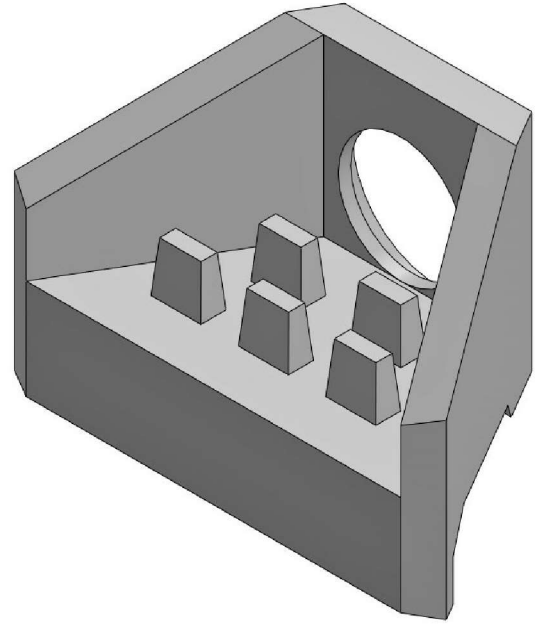


8" - 24" PIPE



30" - 72" PIPE

Pipe Size	A	B	C	D	Weight	# of Dissipators
8"	4'-0"	3'-6"	2'-6"	2'-7"	2,429 #	3
12"	4'-0"	3'-6"	2'-6"	2'-7"	2,315 #	3
15"	4'-9"	4'-0"	2'-9"	2'-10"	2,929 #	3
18"	5'-3"	4'-8"	3'-0"	3'-1 1/2"	4,214 #	3
24"	6'-6"	5'-6"	3'-6"	3'-8"	5,370 #	3
30"	8'-8"	4'-6"	3'-9"	4'-6"	7,184 #	5
36"	9'-10"	5'-1"	4'-4"	5'-0"	9,173 #	5
42"	12'-4"	6'-3"	5'-6"	6'-2"	14,115 #	5
48"	12'-4"	6'-3"	5'-6"	6'-2"	13,670 #	5
54"	15'-7"	7'-7"	6'-10 1/2"	7'-5"	21,476 #	7
60"	15'-7"	7'-7"	6'-10 1/2"	7'-5"	20,975 #	7
66"	18'-1"	8'-11"	7'-9"	8'-8"	30,470 #	9
72"	18'-1"	8'-11"	7'-9"	8'-8"	29,800 #	9

NOTE: S&M STANDARD BACK RECESS ACCEPTS ANY PIPE TYPE FOR THE GIVEN SIZE



"NPCA" CERTIFIED PLANT
 16700 SIMA GRAY RD, HENRYVILLE, IN 47126
 Phone: (812) 246-6258 Fax: (812) 294-4862

SPECIFICATIONS

CONCRETE: 4500 PSI @ 28 DAYS
 REINFORCEMENT: ASTM A-615, GR 60
 REF: KYTC DRAWING # RDH-020-03 & RDH-110-02

WEIGHT: See Chart

**SLOPED & FLARED
 DISSIPATOR HW
 8" - 72" PIPE**

DATE: 5-12-20

DWG #HW-SF-8-72-D