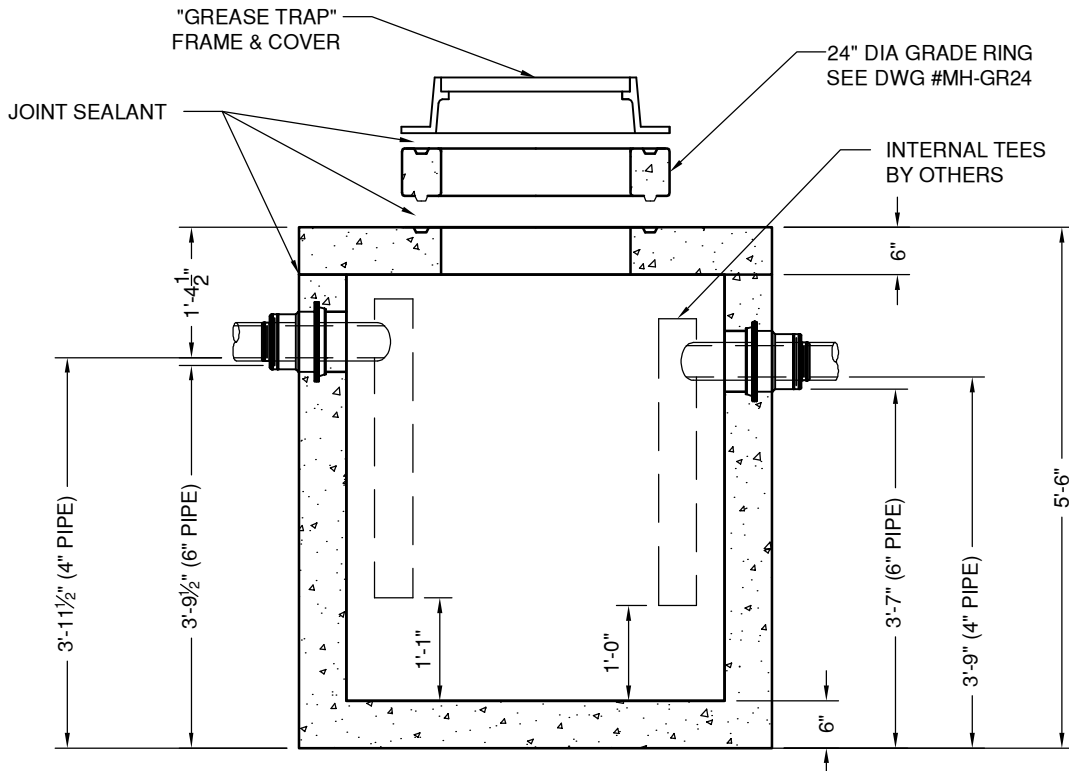


**PLAN VIEW**



**SECTION VIEW**



"NPCA" CERTIFIED PLANT  
 16700 SIMA GRAY RD, HENRYVILLE, IN 47126  
 Phone: (812) 246-6258 Fax: (812) 294-4862

**SPECIFICATIONS**

CONCRETE: 4500 PSI @ 28 DAYS  
 REINFORCEMENT: ASTM A-615, GR 60  
 LOAD DESIGN: AASHTO HS-20

WEIGHT: BASE 6,610# LID 2,198#

**GREASE TRAP  
 350 GALLON  
 TRAFFIC**

DATE: 10-11-16

DWG #GT-350