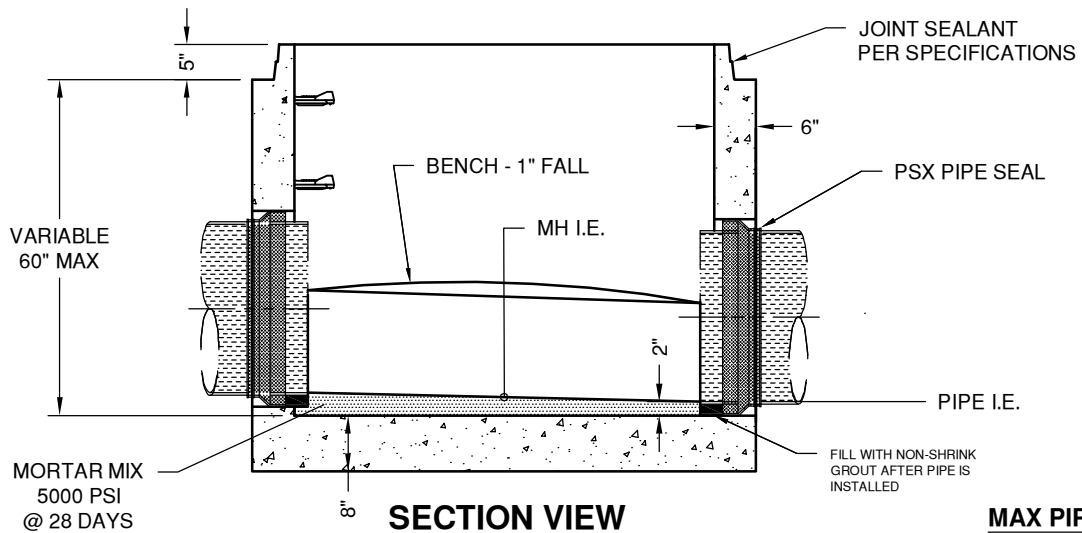
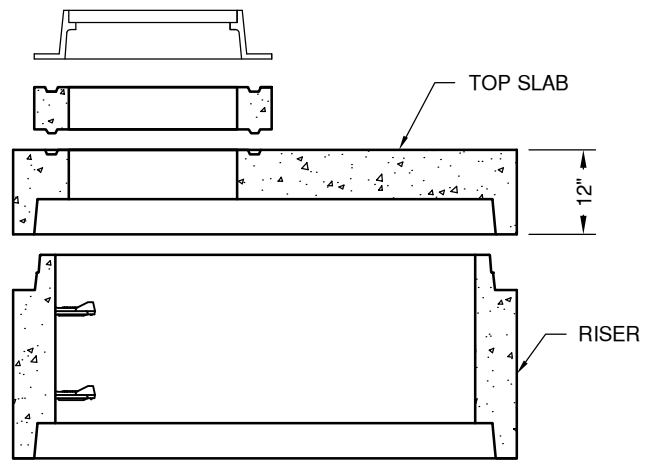
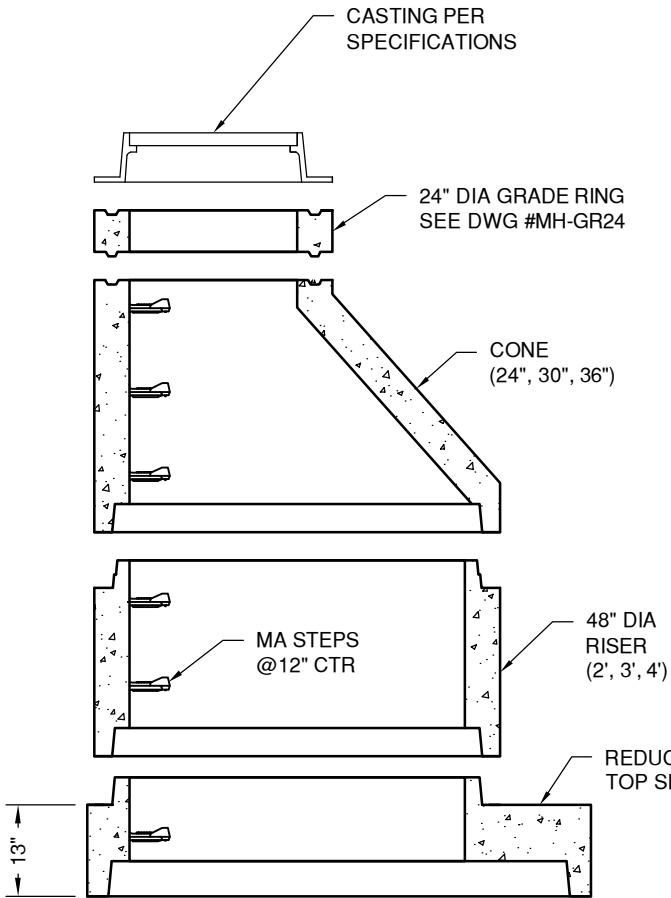


60" DIA COMPONENTS		
SIZE (ID)	HEIGHT (ID)	WEIGHT
BASE w/INVERT	48"	10,160#
RISER	24"	2,600#
RISER	36"	3,900#
RISER	48"	5,200#
RISER	60"	6,500#
RISER	CUSTOM	1,300#/VF
REDUCER SLAB	13"	1,993#
TOP SLAB	12"	2,481#



**SECTION VIEW**

**MAX PIPE SIZE  
27" SDR 35**



"NPCA" CERTIFIED PLANT  
16700 SIMA GRAY RD, HENRYVILLE, IN 47126  
Phone: (812) 246-6258 Fax: (812) 294-4862

**SPECIFICATIONS**

CONCRETE: 4500 PSI @ 28 DAYS  
REINFORCEMENT: ASTM A-615, GR 60  
DESIGN LOAD: AASHTO HS-20  
DESIGN SPECIFICATION: ASTM C-478

WEIGHT: See Chart

**SANITARY MANHOLE  
60" DIAMETER**

DATE: 12-22-16

DWG #SAN-MH-60