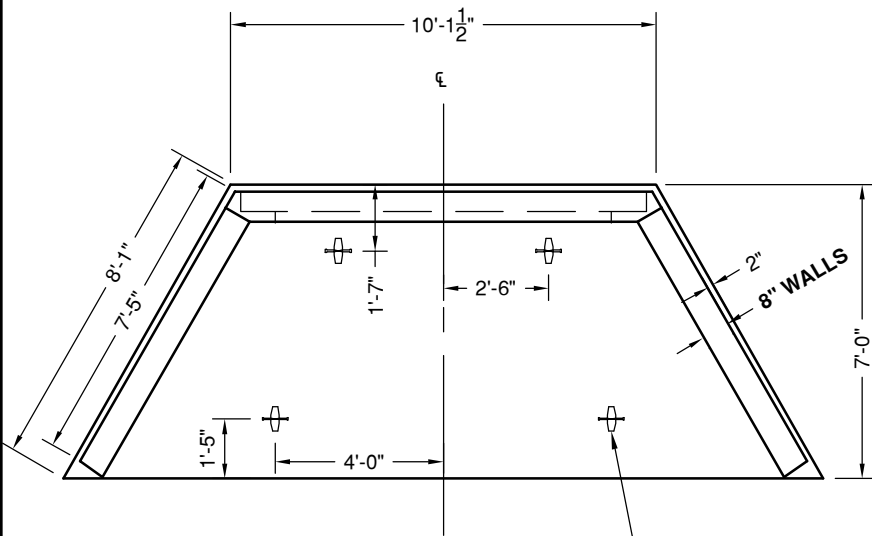
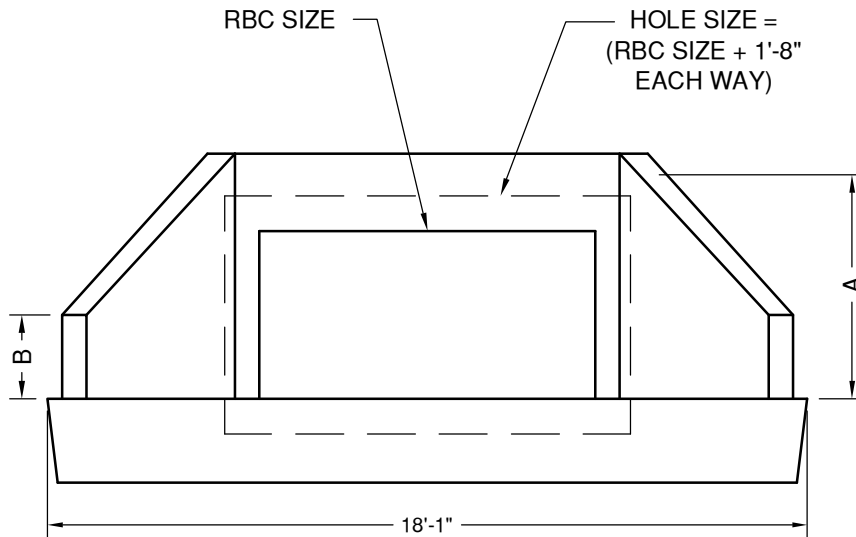


RBC SIZE	"A"	"B"	Weight
8' x 2'	4'-0"	1'-0"	18,700#
8' x 3'	5'-0"	1'-6"	19,850#
8' x 4'	6'-0"	2'-0"	21,000#
8' x 5'	7'-0"	2'-6"	22,120#
8' x 6'	8'-0"	3'-0"	23,270#
8' x 7'	9'-0"	3'-6"	24,400#
8' x 8'	10'-0"	4'-0"	25,550#

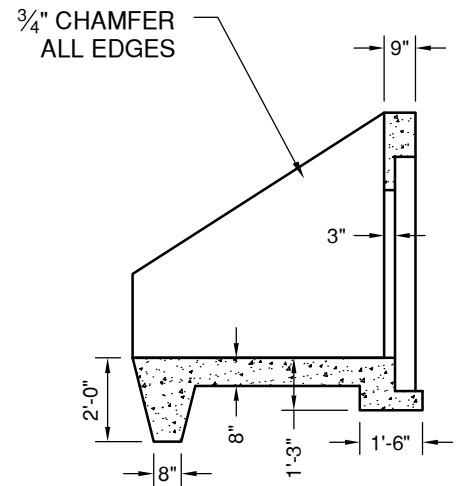


PLAN VIEW

#5 HANDLES
(4 PLACES)



FRONT VIEW



SECTION VIEW



"NPCA" CERTIFIED PLANT
16700 SIMA GRAY RD, HENRYVILLE, IN 47126
Phone: (812) 246-6258 Fax: (812) 294-4862

SPECIFICATIONS

CONCRETE: 5000 PSI @ 28 DAYS
REINFORCEMENT: ASTM A-615, GR 60
DESIGN LOAD: AASHTO HL-93

WEIGHT: See Chart

**BOX CULVERT
HEADWALL**

8' x 2' => 8' x 8'

DATE: 8-28-17

DWG #RBC-HW-8X