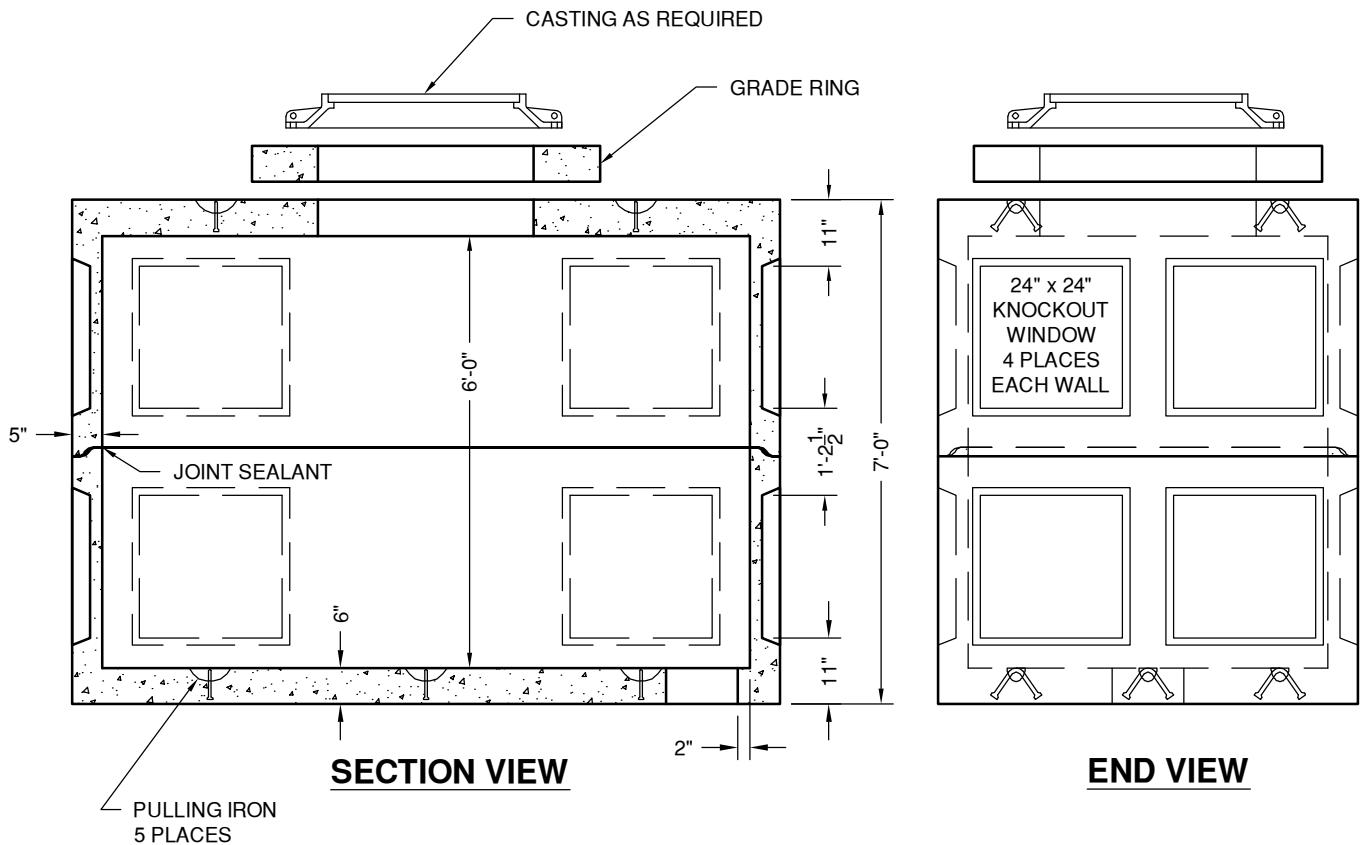


PLAN VIEW



SECTION VIEW

END VIEW



"NPCA" CERTIFIED PLANT
 16700 SIMA GRAY RD, HENRYVILLE, IN 47126
 Phone: (812) 246-6258 Fax: (812) 294-4862

SPECIFICATIONS

CONCRETE: 4500 PSI @ 28 DAYS
 REINFORCEMENT: ASTM A-615, GR 60
 LOAD DESIGN: AASHTO HS-20
 DESIGN SPECIFICATION: ASTM C-858 & ACI 318

WEIGHT: BOT 8,806# TOP 8,497#

**ELECTRIC MANHOLE
 5' x 9' x 6'**

DATE: 1-16-17

DWG #EL-KO-59