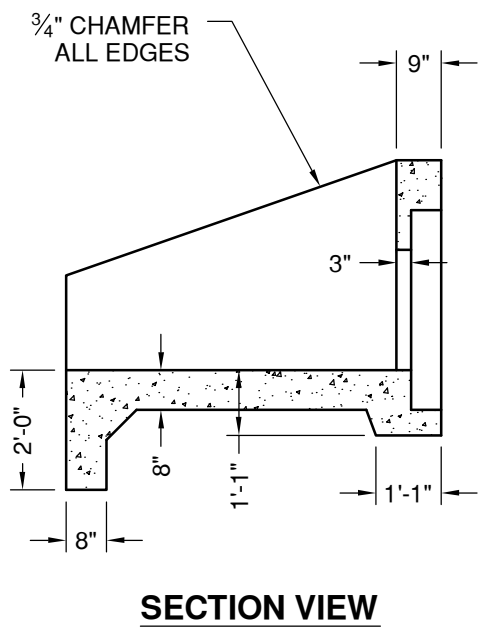
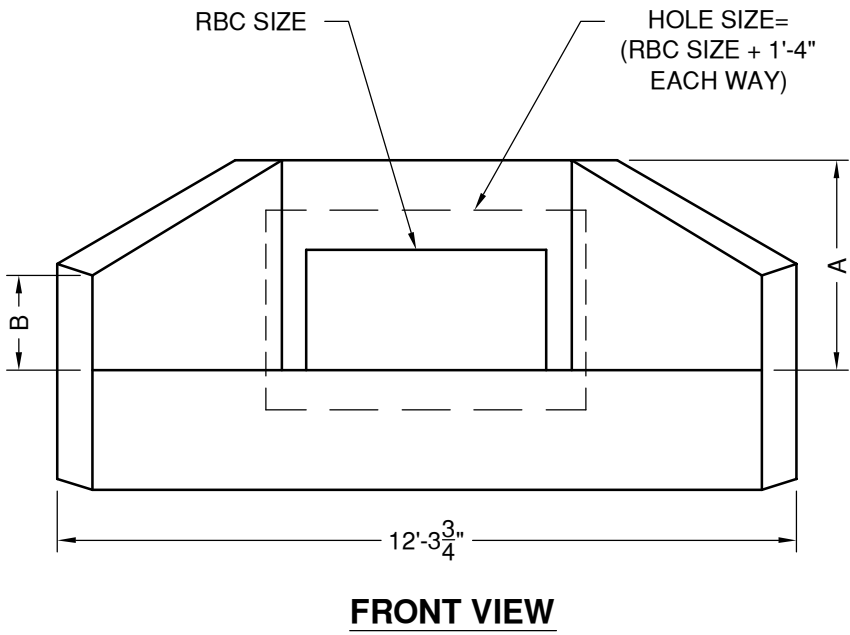
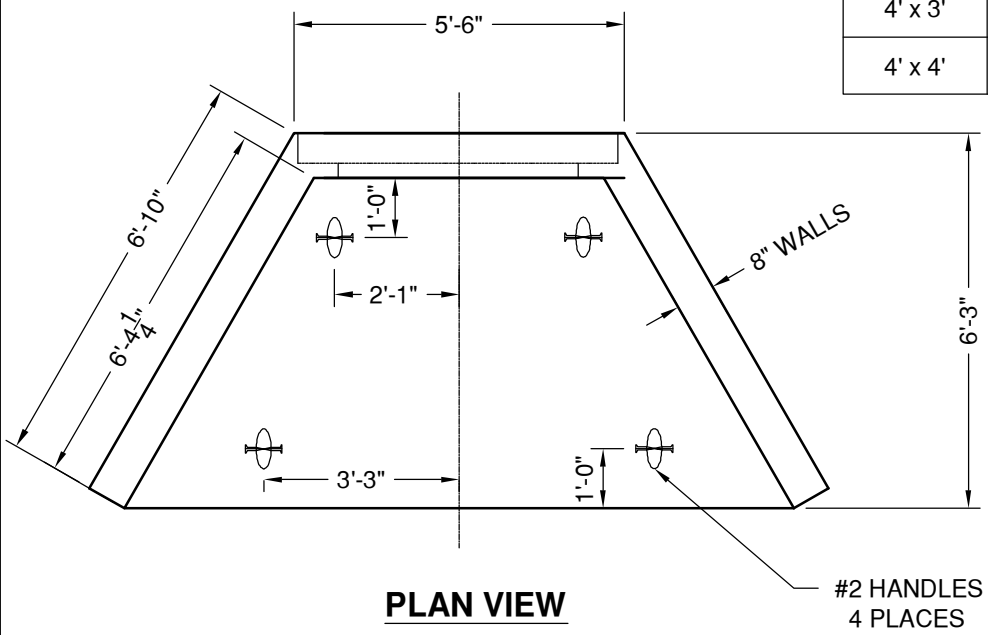


RBC Size	"A"	"B"	Weight
4' x 2'	3'-6"	1'-7"	11,565#
4' x 3'	5'-1"	2'-0"	13,275#
4' x 4'	5'-1"	2'-0"	12,275#



"NPCA" CERTIFIED PLANT  
16700 SIMA GRAY RD, HENRYVILLE, IN 47126  
Phone: (812) 246-6258 Fax: (812) 294-4862

SPECIFICATIONS	
CONCRETE:	4500 PSI @ 28 DAYS
REINFORCEMENT:	ASTM A-615, GR 60

WEIGHT: See Chart
<b>BOX CULVERT HEADWALL</b>
<b>4' x 2' =&gt; 4' x 4'</b>
DATE: 4-14-17
DWG #RBC-HW-4X