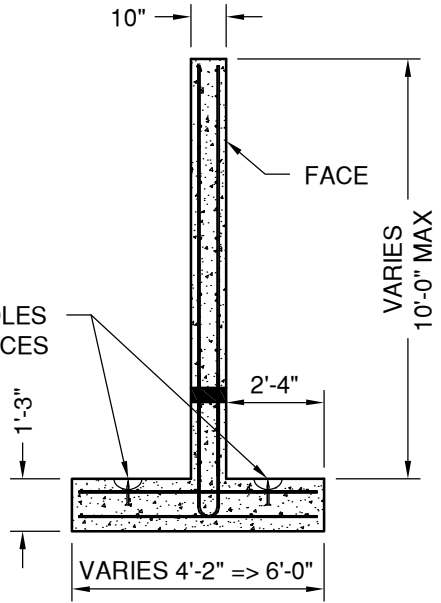
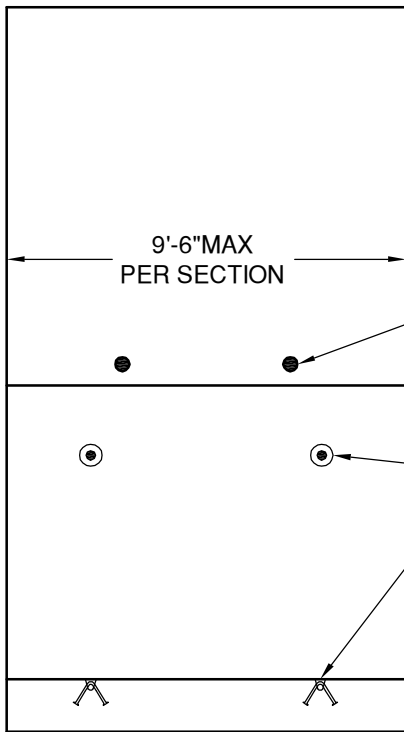


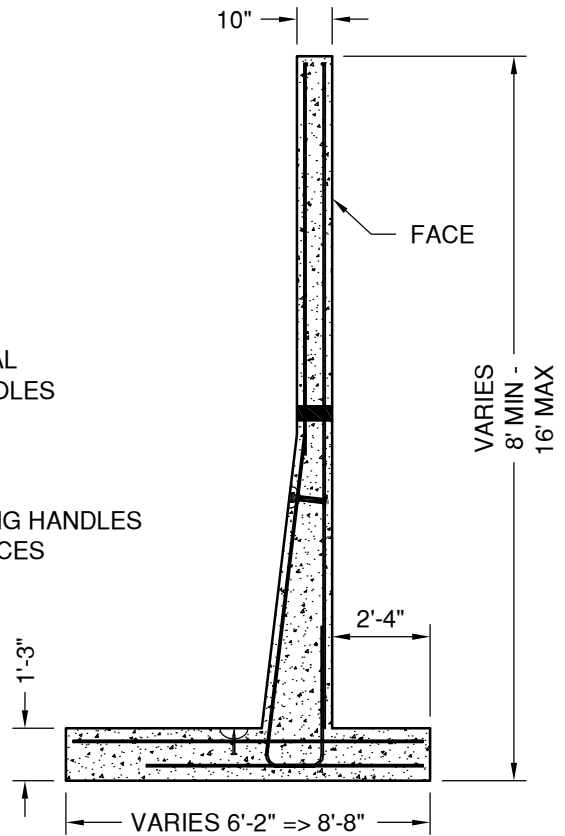
BACK VIEW



SECTION VIEW



BACK VIEW



SECTION VIEW



"NPCA" CERTIFIED PLANT
 16700 SIMA GRAY RD, HENRYVILLE, IN 47126
 Phone: (812) 246-6258 Fax: (812) 294-4862

SPECIFICATIONS

CONCRETE: 5000 PSI @ 28 DAYS
 REINFORCEMENT: ASTM A-615, GR 60

"T" WALL

DATE: 4-14-17

DWG #RBC-2-TW