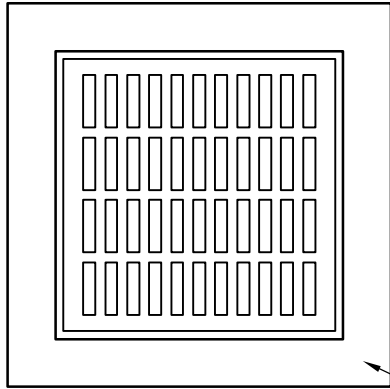


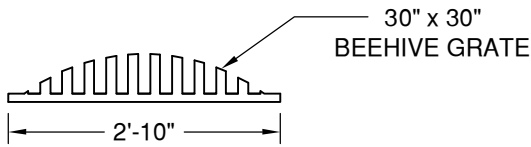
**TOP SLAB AVAILABLE  
FOR ALTERNATE  
CASTING SIZES**



LIGHT BROOM  
FINISH

30" x 30" COMPONENTS		
SIZE (ID)	HEIGHT (ID)	WEIGHT
BASE	42"	4,700#
SHIM	4"	300#
SHIM	6"	450#
SHIM	12"	900#
SHIM	24"	1,800#
GRATE	1"	258#

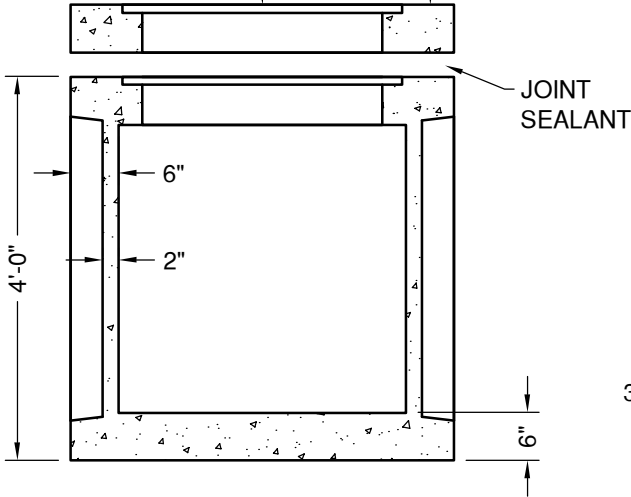
**PLAN VIEW**



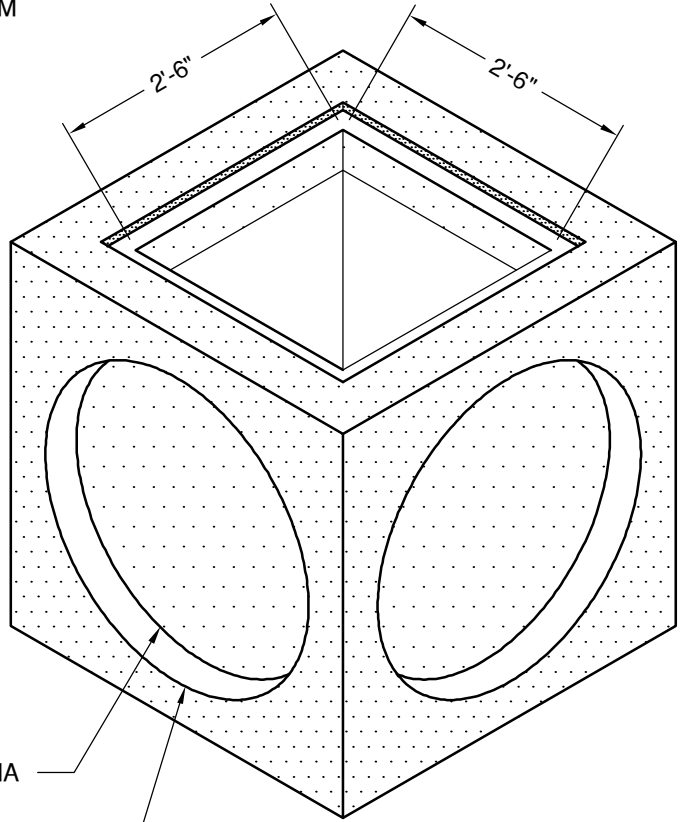
30" x 30"  
BEEHIVE GRATE

RECESS 35" x 35"  
1" DEEP

30" x 30" SHIM  
(4", 6", 12", or 24")



**SECTION VIEW**



**ISOMETRIC VIEW**

37" DIA

38" DIA

**MAX PIPE SIZE  
24" RCP/30" HDPE**



"NPCA" CERTIFIED PLANT  
16700 SIMA GRAY RD, HENRYVILLE, IN 47126  
Phone: (812) 246-6258 Fax: (812) 294-4862

**SPECIFICATIONS**

CONCRETE: 4500 PSI @ 28 DAYS  
REINFORCEMENT: ASTM A-615, GR 60  
DESIGN LOAD: AASHTO HS-20

WEIGHT: See Chart

**30" x 30" KNOCKOUT  
CATCH BASIN**

DATE: 11-18-16

DWG #CB-KO-3030