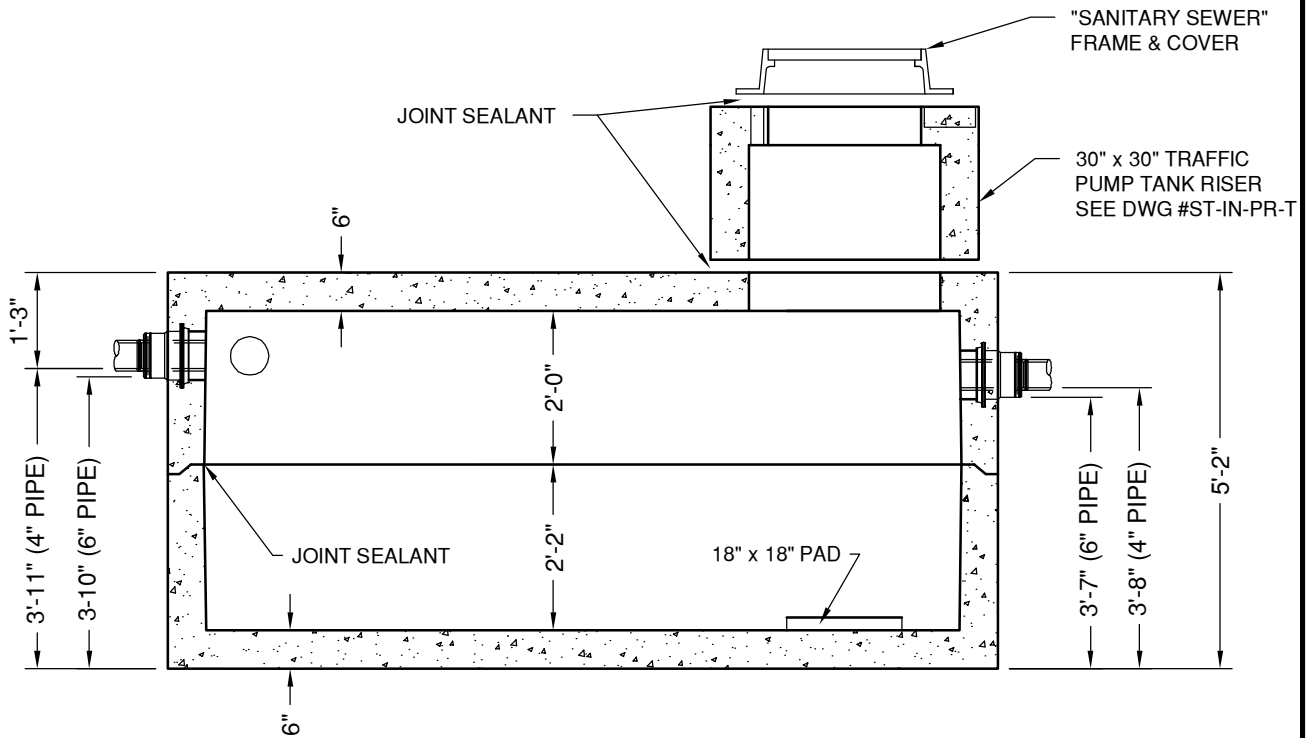


PLAN VIEW



SECTION VIEW



"NPCA" CERTIFIED PLANT
 16700 SIMA GRAY RD, HENRYVILLE, IN 47126
 Phone: (812) 246-6258 Fax: (812) 294-4862

SPECIFICATIONS

CONCRETE: 4500 PSI @ 28 DAYS
 REINFORCEMENT: ASTM A-615, GR 60
 LOAD DESIGN: TRAFFIC, AASHTO HS-20

WEIGHT: BOT 9,803#, TOP 9,331#

**PUMP TANK
 1000 GALLON
 TRAFFIC - INDIANA**

DATE: 2-1-17

DWG #ST-IN-1000-TP