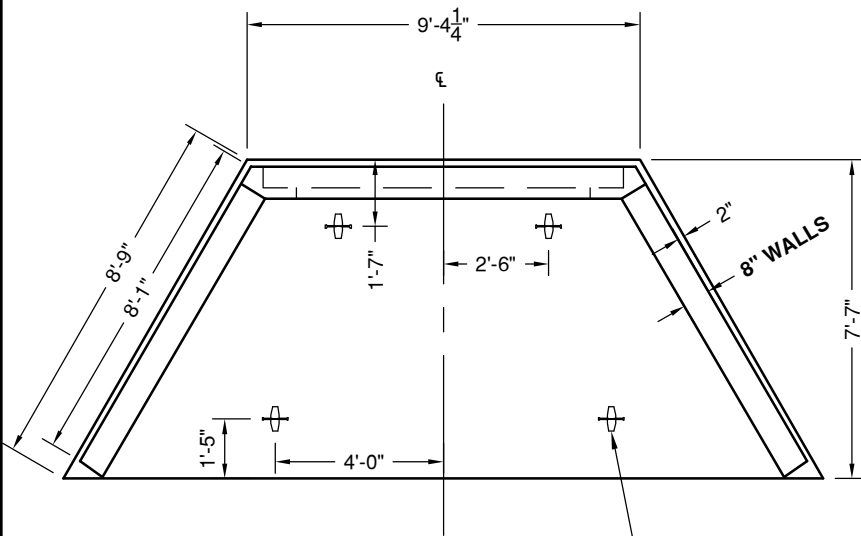
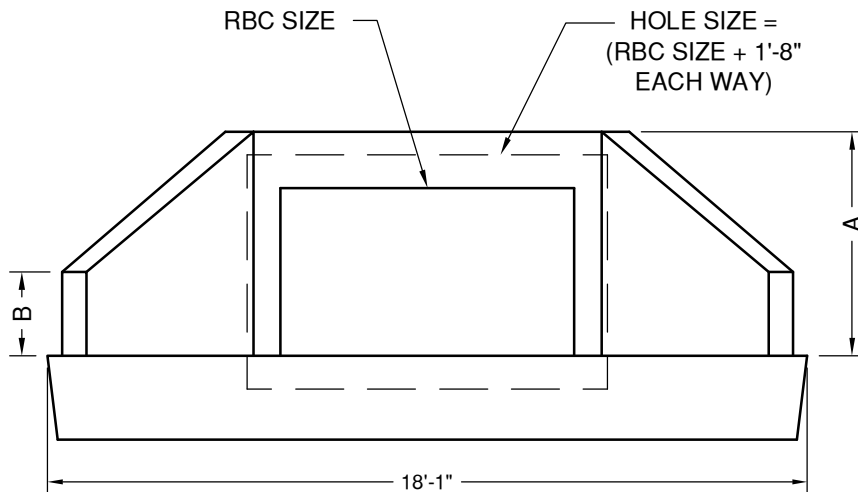


RBC SIZE	"A"	"B"	Weight
6' x 2'	3'-6"	1'-0"	19,320#
6' x 3'	4'-6"	1'-6"	20,715#
6' x 4'	5'-6"	2'-0"	22,105#
6' x 5'	6'-6"	2'-6"	23,500#
6' x 6'	7'-6"	3'-0"	24,890#
7' x 2'	3'-6"	1'-0"	18,950#
7' x 3'	4'-6"	1'-6"	20,230#
7' x 4'	5'-6"	2'-0"	51,510#
7' x 5'	6'-6"	2'-6"	22,790#
7' x 6'	7'-6"	3'-0"	24,070#
7' x 7'	8'-6"	3'-6"	25,350#

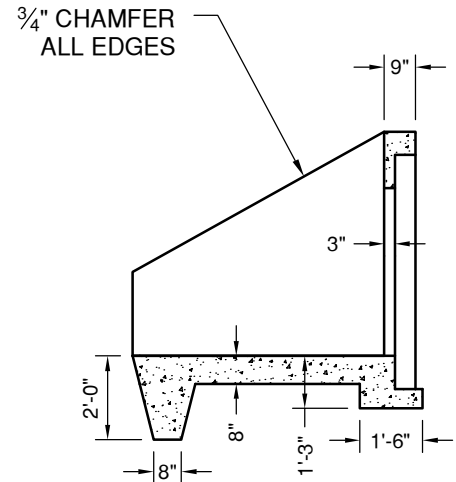


PLAN VIEW

#5 HANDLES
(4 PLACES)



FRONT VIEW



SECTION VIEW



"NPCA" CERTIFIED PLANT
16700 SIMA GRAY RD, HENRYVILLE, IN 47126
Phone: (812) 246-6258 Fax: (812) 294-4862

SPECIFICATIONS

CONCRETE: 5000 PSI @ 28 DAYS
REINFORCEMENT: ASTM A-615, GR 60
DESIGN LOAD: AASHTO HL-93

WEIGHT: See Chart

**BOX CULVERT
HEADWALL**

6' x 2' => 7' x 7'

DATE: 4-18-17

DWG #RBC-HW-6X