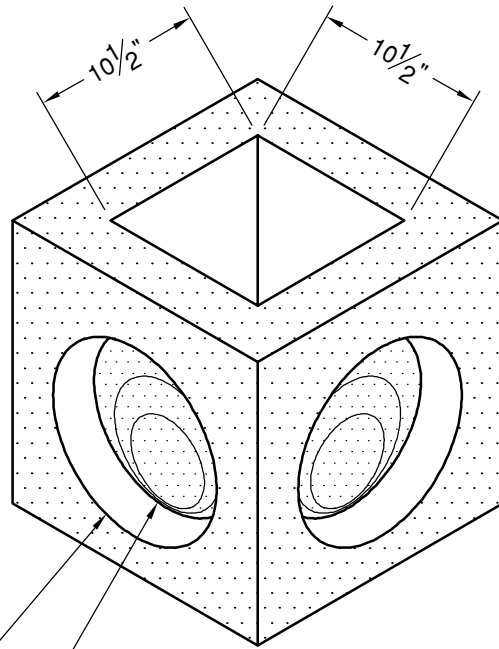
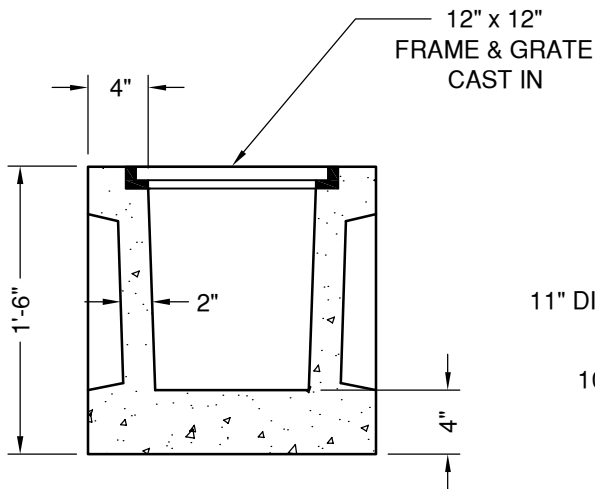


PLAN VIEW



ISOMETRIC VIEW



SECTION VIEW

**MAX PIPE SIZE
8" HDPE**



"NPCA" CERTIFIED PLANT
16700 SIMA GRAY RD, HENRYVILLE, IN 47126
Phone: (812) 246-6258 Fax: (812) 294-4862

SPECIFICATIONS

CONCRETE: 4500 PSI @ 28 DAYS
REINFORCEMENT: ASTM A-615, GR 60
DESIGN LOAD: PEDESTRIAN LOADING ONLY

WEIGHT: BASE 252#

**12" x 12" KNOCKOUT
CATCH BASIN**

DATE: 11-21-16

DWG #CB-KO-1212